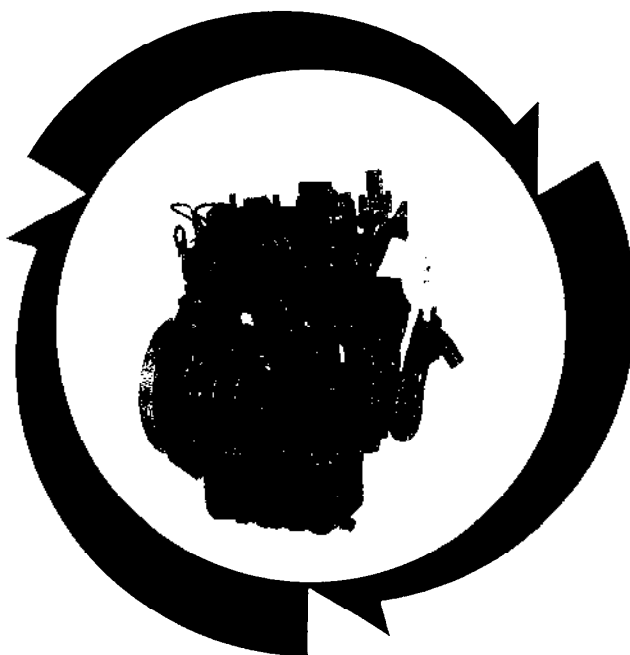


**ILLUSTRATED PARTS LIST
LISTE DES PIECES
STÜCK LISTE**

KUBOTA

**MODEL
MODELE D1105-E2B-EU-X1
MODELL**

**DIESEL ENGINE
MOTEUR DIESEL
DIESEL MOTOREN**



Kubota

97898-61830
DEC.
DECEMBRE 2003
DEZ.

NOTICE

This Parts List is for the following purposes.

1. When ordering parts, check with this Parts List to confirm the part number and the name of parts.
2. When making repairs, refer to the illustrations in this Parts List.
3. This Parts List is subject to change without notice.

NOTE

Utilisation de ce livre

1. A la commande d'une pièce, chercher la référence et le nom de la pièce.
2. Pour les réparations, employez les illustrations.
3. La liste des pièces peut-être modifiée sans préavis.

ACHTUNG

Die vorliegende Stückliste ist zur Verwendung der folgenden Fälle aufzubewahren:

1. Bei Bestellung der Teile anhand dieser Liste die Kennzahl und die Bezeichnung der Teile feststellen.
2. Bei Reparatur auf die Figur in der Stückliste Bezug nehmen.
3. Änderungen dieser Bestandteilliste vorbehalten.

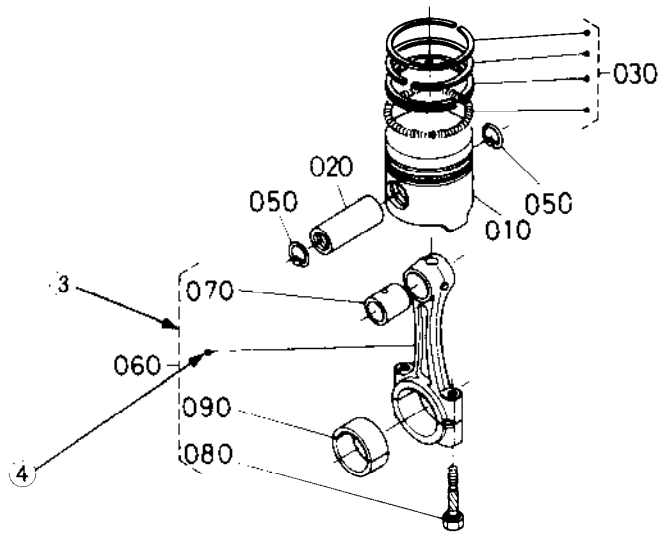
MODEL MODELE MODELL	CODE No. No. DE CODE CODE-Nr.
D1105-E2B-EU-X1	1G905-00000

INSTRUCTIONS INSTRUCTION ERKLÄRUNG

①
0102 PISTON AND CRANKSHAFT
 PISTON ET VILEBREQUIN
 KOLBEN UND KURBELWELLE

⑪ [B] ⑫ **B02-R**

⑩ → S.No. ; A: ≤ 15000, B: 14000 to 15000



⑥ A:XXXX, B:XXXX

REF No. POS No. Bild-Nr.	PART No. REFERENCE BESTELL-Nr.	PART NAME	DESIGNATION	BEZEICHNUNG	QTY / S No QTE / No S STUECK / S Nr		I.C.	REMARKS REMARQUES BEMERKUNGEN
					A	B		
010	15800-0000-0	PISTON	PISTON	KOLBEN	1 ~15000	1 ~15000		[Example-1] [Exemple-1] [Beispiel-1]
010	15800-0000-2	PISTON	PISTON	KOLBEN	1 15001~	1 15001~		
020	15800-1000-0	PIN PISTON	AXE DE PISTON	KOLBENBOLZEN	1 ~15000	1 ~15000		
020	15800-1000-2	PIN,PISTON	AXE DE PISTON	KOLBENBOLZEN	1 15001~	1 15001~		[Example-2] [Exemple-2] [Beispiel-2]
030	15800-2000-0	ASSY PISTON RING	ENS JEU DE SEGMENTS	KOLBENRINGE	1 ~15000	1 ~15000		
030	15830-2000-0	ASSY PISTON RING	ENS JEU DE SEGMENTS	KOLBENRINGE	1 15001~	1 15001~		[Example-3] [Exemple-3] [Beispiel-3]

- ① Fig. No. Represents No. corresponding to each group name.
- ② L. No. Substitute for conventional page numbering. Left-hand pages of the parts list are
(Location No.) numbered in XXX-L and the right-hand pages in XXX-R.
The location No. are also used in numerical index at the end of parts list.
- ③ Components The components of an assembly are identified by a bracket of dotted lines.
- ④ Point Indicates that the parts is not sold independently.
The assembly (Ref.No.060) containing the part needs to be ordered.
- ⑤ REF. No. Reference numbers are assigned to parts in the illustration. The code number of a part in the illustration can be identified by referring to the same reference number in the parts list.
- ⑥ Model name The name of the basic model is indicated in this column. Other applicable models are indicated on the "REMARKS" column ⑨.
- ⑦ S. No. Indicates a group of serial numbers to which a design change is applied.
(serial No.)
- ⑧ I. C. Indicates the interchangeability of parts due to design change.
(interchangeability)
- Example-1 indicates that a new part can replace an old part, but not vice versa.
15800-0000-0 is applicable to the first serial number to S. No. 15000.
15800-0000-2 is applicable to the first serial number and above.
- Example-2 indicates that the new and old parts are not interchangeable.
15800-1000-0 is applicable to the first serial number to S. No. 15000.
15800-1000-2 is applicable to S. No. 15001 and above.
- Example-3 indicates that the new and old parts are interchangeable.
Both 15800-2000-0 and 15830-2000-0 are applicable to the first serial number and above.
- ⑨ REMARKS 1 In this column, enter other applicable model names, dimensions and other special items.
The following symbols and abbreviations are used throughout this book.
29*12.00-15 Tire size
sq.m m² sq.mm mm²
cu.m m³ cu.mm mm³
D Diameter L Length
- ⑩ REMARKS 2 The following expressions are used in NOTE for each group.
Machines' serial numbers are indicated as follows.
<=15000 Serial number below 15000.
>=15001 Serial number above 15001.
14000 to 15000 Serial number 14000 to 15000.
For some models, the above expressions may also be used REMARKS 1 ⑨.
- ⑪ Specifications The types and destinations of sister models are indicated. These indications are
(for sister models) given to tell their relevant pages in this book.

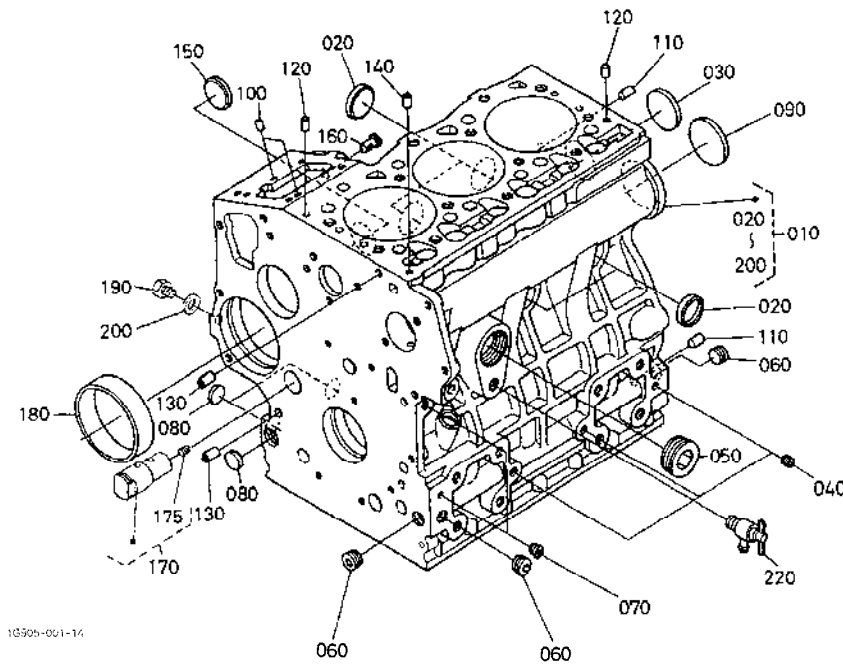
CONTENTS

[D1105-E2B-EU-X1]

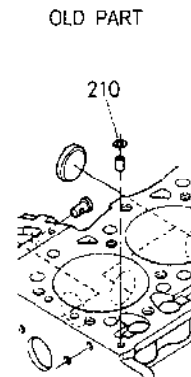
0001	CRANKCASE	1
0002	OIL PAN	2
0003	CYLINDER HEAD	3
0004	GEAR CASE	4
0005	HEAD COVER	5
0006	OIL FILTER	6
0007	DIPSTICK AND GUIDE	7
0100	MAIN BEARING CASE	8
0101	CAMSHAFT AND IDLE GEAR SHAFT	9
0102	PISTON AND CRANKSHAFT	10
0103	FLYWHEEL	12
0105	FUEL CAMSHAFT AND GOVERNOR SHAFT	13
0180	IDLE APPARATUS	14
0201	STOP SOLENOID	15
0202	INJECTION PUMP	16
0204	GOVERNOR	17
0205	SPEED CONTROL PLATE	18
0206	NOZZLE HOLDER AND GLOW PLUG	19
0207	NOZZLE HOLDER (COMPONENT PARTS)	20
0301	FUEL PUMP (MECHANICAL)	21
0402	ALTERNATOR AND PULLEY	22
0403	ALTERNATOR (COMPONENT PARTS)	23
0404	STARTER	24
0405	STARTER (COMPONENT PARTS)	25
0406	OIL SWITCH AND PLUG	26
0500	WATER FLANGE AND THERMOSTAT	27
0501	WATER PUMP	28
0503	WATER PIPE	29
0504	FAN	30
0600	VALVE AND ROCKER ARM	31
0601	INLET MANIFOLD	32
0602	EXHAUST MANIFOLD	33
0800	GLOW LAMP AND TIMER	34
0808	ACCESSORIES AND SERVICE PARTS	35
0809	OPERATOR'S MANUAL	36
■	NUMERICAL INDEX	37

0001

**CRANKCASE
BLOC MOTEUR
KURBELGEHAEUSE**



1G905-001-14



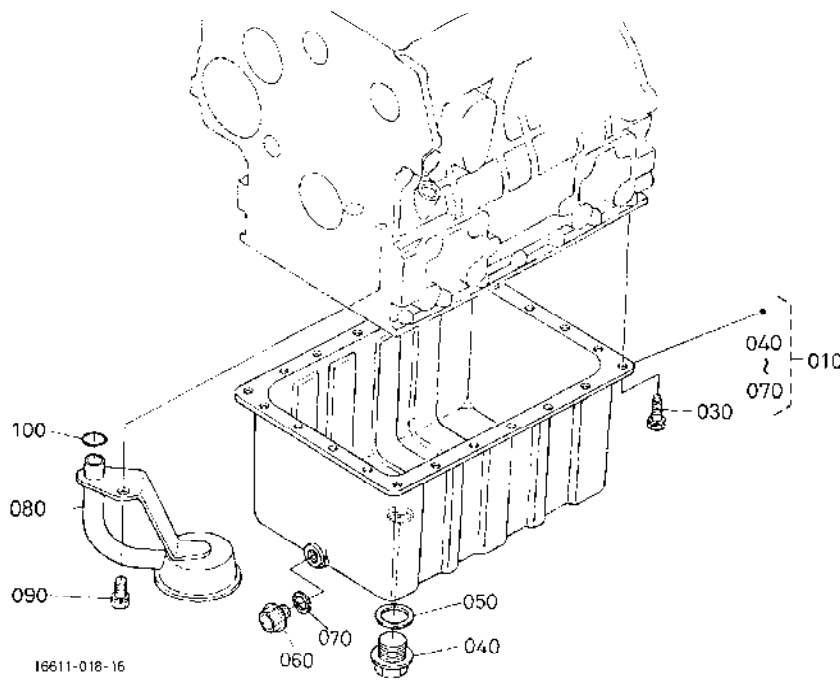
1G993-800-10

A:D1105-E2B-EU-X1

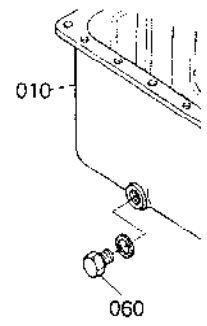
REF. No. FIG. No. BLD-Nr.	PART No. REFERENCE BESELL-Nr.	PART NAME	DESIGNATION	BEZEICHNUNG	Q'TY/S. No. Q'TE./No. S. STUECK. S. Nr.		I. C.	REMARKS REMARQUES BEMERKUNGEN
					A	B		
010	1G662-0101-0	COMP. CRANKCASE	BLOC MOTEUR COMPLET	KOMP. KURBELGEHAEUSE	≤4Z4612	-		
010	1G905-0101-2	COMP. CRANKCASE	BLOC MOTEUR COMPLET	KOMP. KURBELGEHAEUSE	≥5A0001	-	↔	
010	1G905-0101-3	COMP. CRANKCASE	BLOC MOTEUR COMPLET	KOMP. KURBELGEHAEUSE	≥6J2001	-	←	
020	15451-9627-0	CAP. SEALING	PASTILLE	STOEPSSEL, ABDICHTUNG	4	-		
030	15221-0349-0	CAP. SEALING	PASTILLE	STOEPSSEL, ABDICHTUNG	1	-		
040	15261-9601-0	PLUG	BOUCHON	STOPFEN	3	-		
050	16683-9602-0	PLUG	BOUCHON	STOPFEN	1	-		
060	16241-9601-0	PLUG	BOUCHON	STOPFEN	3	-		
070	15521-9602-0	PLUG	BOUCHON	STOPFEN	2	-		
080	17391-9616-0	PLUG, EXPANSION	BOUCHON EXPANSIBLE	STOEPSSEL, AUSDEHNUNG	3	-		
090	16271-9616-0	PLUG, EXPANSION	BOUCHON EXPANSIBLE	STOEPSSEL, AUSDEHNUNG	1	-		
100	05012-00508	PIN, STRAIGHT	GOUPILLE CYLINDRIQUE	ZYLINDERSTIFT	2	-		
110	05012-00814	PIN, STRAIGHT	GOUPILLE CYLINDRIQUE	ZYLINDERSTIFT	2	-		
120	16221-9452-0	PIN, STRAIGHT	GOUPILLE CYLINDRIQUE	ZYLINDERSTIFT	2	-		
130	15231-3396-0	PIN, PIPE	GICLEUR	ROHRSTIFT	2	-		
140	16241-3365-0	PIN, PIPE	GICLEUR	ROHRSTIFT	1	-		
150	16241-9626-2	PLUG	BOUCHON	STOPFEN	1	-		
160	16261-5628-0	PIN, START SPRING	GOUPILLE DU RESSORT	STARTFEDERSTIFT	1	-		
170	16241-2406-0	COMP SHAFT, IDLE	COMP. ARBRE D'INTERM.	KOMP. FREILAUFWELLE	1	-		
175	15521-9361-0	SCREW SET	VIS D'ARRET	ANSCHLAGSCHRAUBE	1	-		
180	16271-5535-0	BUSH, GOVERNOR GEAR	BAGUE DE REG. PIGNON	BUCHSE	1	-		
190	15221-3361-0	PLUG	BOUCHON	STOPFEN	1	-		
200	15021-3366-0	GASKET	JOINT	DICHTUNGSPLETTE	1	-		
210	15221-3370-0	O RING	JOINT TORIQUE	O RING	≤4E2000	-	≠	
220	15841-7302-0	ASSY COCK, DRAIN	ENS. ROBINET VIDANGE	GRP. ABLASSHAHN	1	-		

↔ Interchangeable; ≠ not interchangeable; ← new for old; → old for new

**0002 OIL PAN
CARTER D' HUILE
OELWANNE**



OLD PART



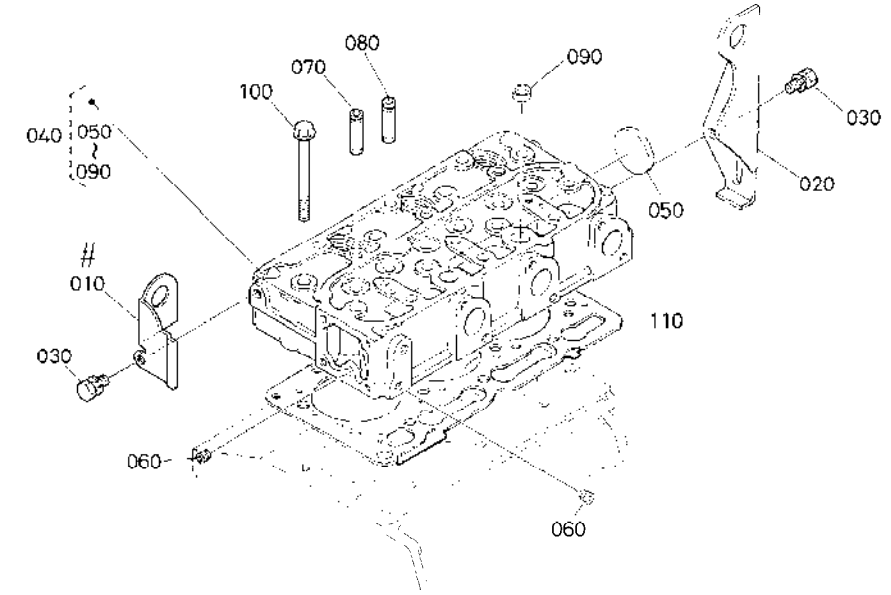
10681-800-11

A:D1105-E2B-EU-X1

REF. No. FIG. No. BLD-Nr.	PART No. REFERENCE BESELL-Nr.	PART NAME	DESIGNATION	BEZEICHNUNG	Q'TY/S. No. Q'TE./No. S. STUECK-S. Nr.		I. C.	REMARKS REMARKES BEMERKUNGEN
					A	B		
010	16613-0150-0	COMP. OIL PAN	CARTER D' HUILE COMP.	KOMP. OELWANNE	1	-		ORDER BY REF No 010 NEW PART
010	16613-0160-5	KIT OIL PAN	ENS. CARTER D' HUILE	GRP. OELWANNE	1	-	←	
020		BLANK	BLANC	LEERE SPALTE	-	-		
030	01023-50612	BOLT	VIS	BOLZEN	22	-		#
030	01023-50614	BOLT	VIS	BOLZEN	22	-		#
040	15707-3375-0	PLUG, DRAIN	BOUCHON DE VIDANGE	ENTLEERUNGSSTOPFEN	1	-		
050	15451-9667-0	GASKET	JOINT	DICHTUNGSPLATTE	1	-		
050	16265-9667-0	GASKET	JOINT	DICHTUNGSPLATTE	1	-	←	
060	15221-3375-0	PLUG	BOUCHON	STOPFEN	1	-		
060	16326-3375-0	PLUG, DRAIN	BOUCHON DE VIDANGE	ENTLEERUNGSSTOPFEN	1	-	↔	
060	13901-3375-0	PLUG, DRAIN	BOUCHON DE VIDANGE	ENTLEERUNGSSTOPFEN	1	-	↔	
070	60090-5896-0	GASKET	JOINT	DICHTUNGSPLATTE	1	-		
080	16226-3211-0	FILTER, OIL	FILTRE D' HUILE	OELFILTER	1	-		
080	16226-3211-4	FILTER, OIL	FILTRE D' HUILE	OELFILTER	1	-	←	
090	01123-60816	BOLT	VIS	BOLZEN	1	-		
100	04814-00160	O RING	JOINT TORIQUE	O RING	1	-		

↔ Interchangeable; ≠ not interchangeable; ← new for old; → old for new

**0003 CYLINDER HEAD
CULASSE
ZYLINDERKOPF**



1G662-012-27



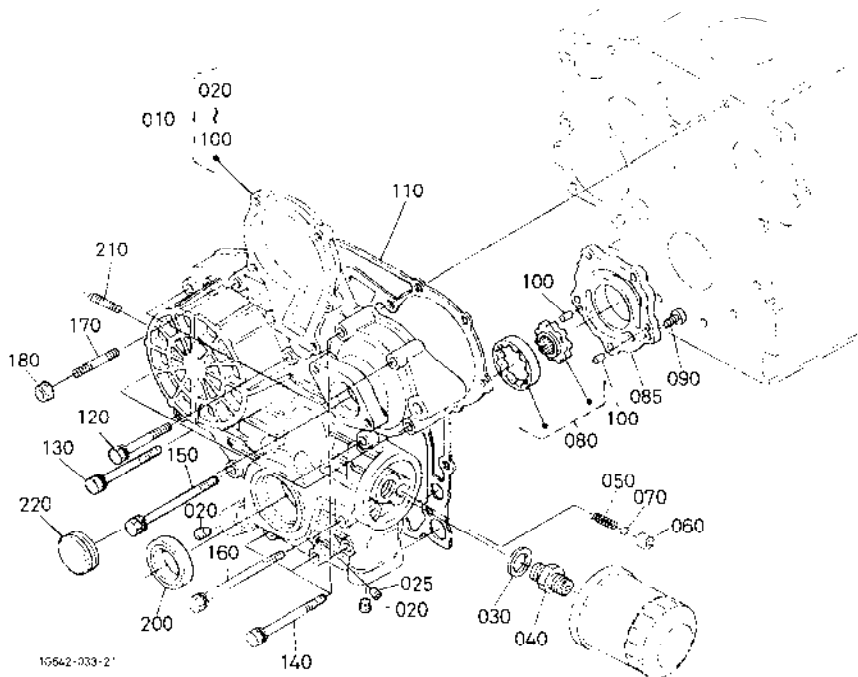
1G987-800-10

A:D1105-E2B-EU-X1

REF. No. FIG. No. BLD-Nr.	PART No. REFERENCE BESELL-Nr.	PART NAME	DESIGNATION	BEZEICHNUNG	Q'TY/S. No. Q'TE./No. S. STUECK-S. Nr.		I. C.	REMARKS REMARQUES BEMERKUNGEN
					A	B		
010	16241-0175-0	HOOK, ENGINE	ANNEAU DE LEVAGE	MOTOR-ANKERHAKEN	1	-		
020	16241-0177-0	HOOK, ENGINE	ANNEAU DE LEVAGE	MOTOR-ANKERHAKEN	1	-		
030	01123-60814	BOLT	VIS	BOLZEN	2	-		
040	1G053-0304-0	COMP. CYLINDER HEAD	CULASSE COMPLET	KOMP. ZYLINDERKOPF	≤=6K9999	-		
040	1G053-0304-2	COMP. CYLINDER HEAD	CULASSE COMPLET	KOMP. ZYLINDERKOPF	>=6L0001	-	←	
040	1G053-0304-3	COMP. CYLINDER HEAD	CULASSE COMPLET	KOMP. ZYLINDERKOPF	>=7A0001	-	←	
040	1G053-0304-4	COMP. CYLINDER HEAD	CULASSE COMPLET	KOMP. ZYLINDERKOPF	>=7S0001	-	←	#
050	15321-9626-0	CAP. SEALING	PASTILLE	STOEPSSEL, ABDICHTUNG	1	-		
060	15261-9601-0	PLUG	BOUCHON	STOPFEN	2	-		
070	16261-1354-0	GUIDE, INLET VALVE	GUIDE SOUP. D' ADMISS.	EINLASSVENTILFUHRUNG	3	-		
080	16261-1356-0	GUIDE, EXHAUST VALVE	GUIDE SOUP. D' ECHAP.	AUSLASSVENTILFUHRUNG	3	-		
090	15261-0337-0	CAP. SEALING	PASTILLE	STOEPSSEL, ABDICHTUNG	2	-		
100	16241-0345-0	BOLT, CYLINDER HEAD	VIS DE CYLINDRE	ZYLINDERKOPFSCHRAUBE	14	-		
110	1E038-0331-0	GASKET, CYLINDER HEAD	JOINT	DICHTUNG, ZYLINDERKOPF	≤=4E9999	-		#
110	1G063-0331-0	GASKET, CYLINDER HEAD	JOINT	DICHTUNG, ZYLINDERKOPF	>=4G0001	-	←	#
120	15221-3370-0	O RING	JOINT TORIQUE	O RING	≤=4F9999	-		#

↔ Interchangeable; ≠ not interchangeable; ← new for old; → old for new

**0004 GEAR CASE
CARTER DE DISTRIBUTION
GETRIEBEGEHAUSE**



OLD PART



16642-033-2

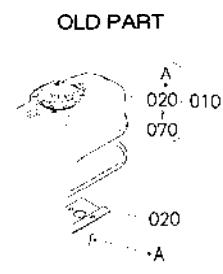
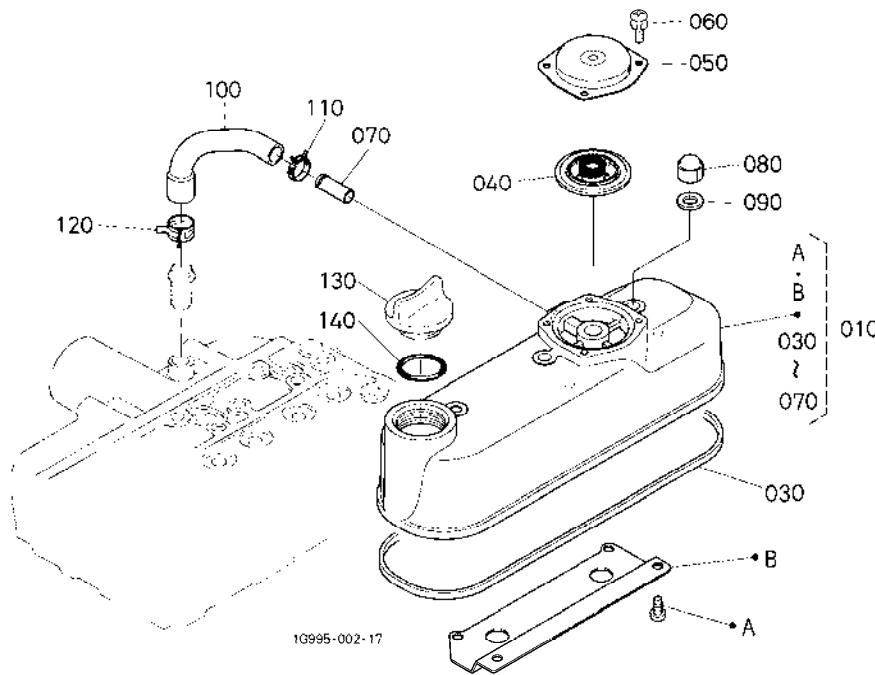
16988-BCA-10

A:D1105-E2B-EU-X1

REF. No. FIG. No. BLD-Nr.	PART No. REFERENCE BESELL-Nr.	PART NAME	DESIGNATION	BEZEICHNUNG	Q'TY/S. No. Q'TE./No. S. STUECK/S. Nr.		I. C.	REMARKS REMARQUES BEMERKUNGEN
					A	B		
010	16251-0402-7	COMP. CASE, GEAR	CARTER DISTR. COMP.	KMP. GETRIEBEGEHAUSE	≤509999	-		
010	16252-0402-0	COMP. CASE, GEAR	CARTER DISTR. COMP.	KMP. GETRIEBEGEHAUSE	≥5E0001	-	↔	
010	16252-0402-2	COMP. CASE, GEAR	CARTER DISTR. COMP.	KMP. GETRIEBEGEHAUSE	≥5E0001	-	←	
020	16241-9602-0	PLUG	BOUCHON	STOPFEN	2	-		
025	15521-9602-0	PLUG	BOUCHON	STOPFEN	1	-		
030	04011-50180	WASHER, PLAIN	RONDELLE FREIN	SCHEIBE	1	-		
040	15241-3229-0	JOINT, PIPE	RACCORD DE TUYAU	VERBINDUNGSSTUECK	1	-		
050	16241-3695-0	SPRING	RESSORT	FRUEHLING	1	-		
060	16241-3693-0	SEAT, VALVE	SIEGE DE SOUPAPE	SITZ, VENTIL	1	-		
070	07715-00201	BALL	BILLE	KUGEL	1	-		
080	16241-3507-0	ASSY ROTOR, OIL PUMP	ROTOR DE POMPE HUILE	OLFORDERPUMPE LAUFER	1	-		
085	16251-3513-0	COVER, OIL PUMP	COUV. POMPE A HUILE	OELPUMPEDECKEL	1	-		
090	03017-50620	SCREW, CR-REC-BD-HD	VIS	SCHRAUBE	5	-		
100	05012-00410	PIN, STRAIGHT	GOUPILLE CYLINDRIQUE	ZYLINDERSTIFT	2	-		
110	16264-0413-2	GASKET, GEAR CASE	JOINT	DICHTUNGGETRIEBEGEH.	1	-		
120	01023-50645	BOLT	VIS	BOLZEN	3	-		
130	01023-60650	BOLT	VIS	BOLZEN	4	-		
140	01023-50655	BOLT	VIS	BOLZEN	4	-		
150	01023-50665	BOLT	VIS	BOLZEN	1	-		
160	16241-9104-0	BOLT	VIS	BOLZEN	1	-		
170	16245-9153-0	STUD	GOUJON	STEBBOLZEN	1	-		
180	02056-50060	NUT	ECROU	MUTTER	≤7V2999	-		#
180	02751-50060	NUT, FLANGE	ECROU A EMBASE	FLANSCHEN-MUTTER	≥7W0001	-	←	#
190	04512-60060	WASHER, SPRING	RONDELLE GROWER	FEDERRING	≤7V2999	-		#
200	16241-0421-2	SEAL, OIL	BAGUE JOINT	OELDICHTUNGSRING	1	-		
210	16245-9154-0	STUD	GOUJON	STEBBOLZEN	2	-		
220	16264-8334-2	COVER, GEAR CASE	COUV. CARTER DISTRIB	DECKEL, GETRIEBEGEAUS	1	-		

↔ Interchangeable; ≠ not interchangeable; ← new for old; → old for new

**0005 HEAD COVER
COUVRE-CULASSE
ZYLINDERKOPF-DECKEL**

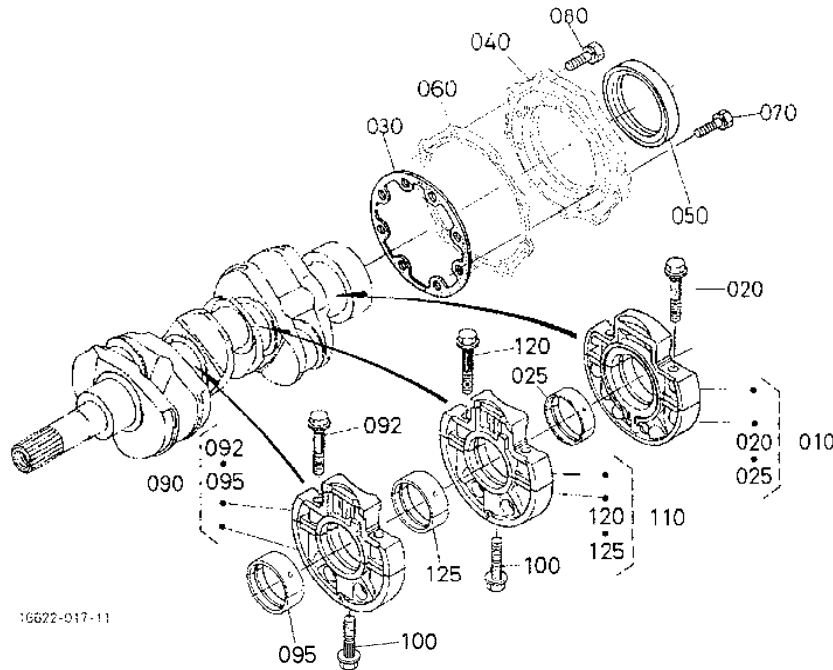


A: D1105-E2B-EU-X1

REF. No. FIG. No. BLD-Nr.	PART No. REFERENCE BESELL-Nr.	PART NAME	DESIGNATION	BEZEICHNUNG	Q'TY/S. No. Q'TE./No. S. STUECK/S. Nr.		I. C.	REMARKS REMARQUES BEMERKUNGEN
					A	B		
010	1G032-1450-0	ASSY COVER, CYL. HEAD	ENS. COUVERCLE	ZYLINDERKOPFFHAUBE	≤4M0019	-		
010	1G032-1450-3	ASSY COVER, CYL. HEAD	ENS. COUVERCLE	ZYLINDERKOPFFHAUBE	≥4N0001	-	←	
010	1G032-1450-4	ASSY COVER, CYL. HEAD	ENS. COUVERCLE	ZYLINDERKOPFFHAUBE	≥5G0001	-	←	
010	1G032-1450-6	ASSY COVER, CYL. HEAD	ENS. COUVERCLE	ZYLINDERKOPFFHAUBE	≥7G0001	-	←	#
020	1G032-0537-0	SHIELD, OIL BREATHER	BOUCLIER DE HUILE	ÖELSCHILD, ENTLUEFTER	≤7F2099	-		#
030	16261-1452-0	GASKET, HEAD COVER	JOINT COUVRE-CULASSE	DICHTUNG, KOPFDECKEL				
040	1G911-0520-0	COMP. VALVE, BREATHER	ENS. ROBINET DE REIN.	GRP. HAHNENTLUFTUNGS	≤4M0019	-		
040	1G911-0520-2	COMP. VALVE, BREATHER	ENS. ROBINET DE REIN.	GRP. HAHNENTLUFTUNGS	≥4N0001	-	←	
040	1G911-0520-3	COMP. VALVE, BREATHER	ENS. ROBINET DE REIN.	GRP. HAHNENTLUFTUNGS	≥5G0001	-	←	
050	1G911-0512-0	COVER, BREATHER	COUVERCLE ASPIRATEUR	ENTLUEFTERDECKEL	≤6F2099	-		
050	1G801-0512-0	COVER, BREATHER	COUVERCLE ASPIRATEUR	ENTLUEFTERDECKEL	≥5G0001	-	↔	
060	03054-50510	SCREW, PAN HEAD	VIS	SCHRAUBE	≤5Y2099	-		
060	03024-50510	SCREW, WITH WASHER	VIS	SCHRAUBE	≥5M0001	-	←	
070	17331-7334-2	PIPE, WATER RETURN	TUYAU RETOUR D'EAU	WASSERROHR				
080	15952-9233-0	NUT	ECROU	MUTTER	3	-		
090	15951-9666-0	GASKET	JOINT	DICHTUNGSPLATTE	3	-		
100	1G032-0551-0	TUBE, BREATHER	TUYAU DE REINFLARD	ENTLUEFTUNGSROHR	1	-		
110	09318-88150	CLAMP, HOSE	COLLIER DE DURITE	SCHLAUCHBINDER	1	-		
120	16259-0558-0	CLAMP, HOSE	COLLIER DE DURITE	SCHLAUCHBINDER	1	-		
130	E9151-3314-0	PLUG, OIL FILLER	BOUCHON, REMPLIS. H/L	ÖLEINFUELLSSTOPFEN	1	-		
140	04814-50300	O RING	JOINT TORIQUE	O RING	1	-		

↔ Interchangeable; ≠ not interchangeable; ← new for old; → old for new

**0100 MAIN BEARING CASE
PALIERS DE VILEBREQUIN
HAUPTLAGERGEHAEUSE**



16622-017-11

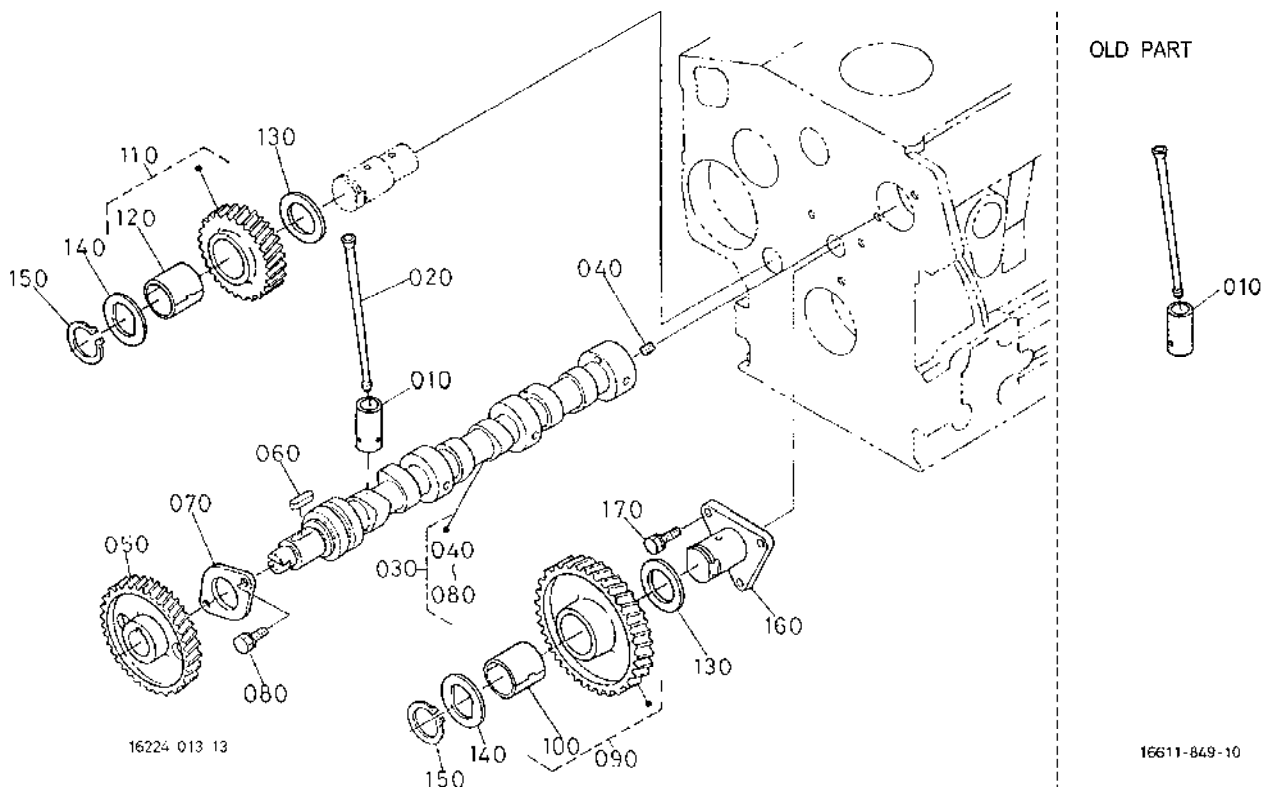
A:D1105-E2B-EU-X1

REF. No. FIG. No. BLD-Nr.	PART No. REFERENCE BESELL-Nr.	PART NAME	DESIGNATION	BEZEICHNUNG	Q'TY/S. No. Q'TE./No. S. STUECK. S. Nr.		I. C.	REMARKS REMARQUES BEMERKUNGEN
					A	B		
010	16292-0709-0	ASSY BRG. CASE, WHEEL	ENS. PALIER VILEBREQ.	GRP. LAGERGEHAEUSE	<=5X9999	-		
010	16292-0709-3	ASSY BRG. CASE, WHEEL	ENS. PALIER VILEBREQ.	GRP. LAGERGEHAEUSE	>=5Y0001	-	←	
010	16292-0709-5	ASSY BRG. CASE, WHEEL	ENS. PALIER VILEBREQ.	GRP. LAGERGEHAEUSE	>=6L0001	-	←	#
020	16241-0454-0	BOLT, BEARING CASE	VIS	BOLZEN, LAGERKASTEN	2	-		
025	16292-2349-0	METAL, CRANKSHAFT	COUSSINET DE VILEBR.	METALLTEIL	<=5X9999	-		STD SET
025	16292-2349-3	METAL, CRANKSHAFT	COUSSINET DE VILEBR.	METALLTEIL, KURBELWE.	>=5Y0001	-	←	STD SET
025	16292-2349-4	METAL, CRANKSHAFT	COUSSINET DE VILEBR.	METALLTEIL, KURBELWE.	>=6L0001	-	←	#STD SET
025	16292-2386-0	METAL, CRANKSHAFT	COUSSINET DE VILEBR.	METALLTEIL	<=5X9999	-		-0.20mm SET
025	16292-2386-3	METAL, CRANKSHAFT	COUSSINET DE VILEBR.	METALLTEIL	>=5Y0001	-	←	-0.20mm SET
025	16292-2386-4	METAL, CRANKSHAFT	COUSSINET DE VILEBR.	METALLTEIL	>=6L0001	-	←	#-0.20mm SET
025	16292-2387-0	METAL, CRANKSHAFT	COUSSINET DE VILEBR.	METALLTEIL	<=5X9999	-		-0.40mm SET
025	16292-2387-3	METAL, CRANKSHAFT	COUSSINET DE VILEBR.	METALLTEIL	>=5Y0001	-	←	-0.40mm SET
025	16292-2387-4	METAL, CRANKSHAFT	COUSSINET DE VILEBR.	METALLTEIL	>=6L0001	-	←	#-0.40mm SET
030	16264-0436-0	GASKET, BRG. CASE	JOINT	DICHTUNG, LAGER	1	-		
040	16241-0481-3	COVER, BEARING CASE	PORTE JOINT	DECKEL, LAGERKASTEN	<=6K9999	-		#
040	16241-0481-5	COVER, BEARING CASE	PORTE JOINT	DECKEL, LAGERKASTEN	>=6L0001	-	↗	#
050	16241-0446-0	SEAL, OIL	BAGUE JOINT	OELDICHTUNGSRING	<=5V9999	-		
050	16285-0446-0	SEAL, OIL	BAGUE JOINT	DELICHTUNGSRING	>=5W0001	-	←	
060	16264-0482-0	GASKET	JOINT	DICHTUNGSPLATTE	<=6K9999	-		#
060	16264-0482-2	GASKET, CASE COVER	JOINT DE CARTER FOU	DICHTUNG GEHAEUSEDEC	>=6L0001	-	↗	#
070	01023-50625	BOLT	VIS	BOLZEN	8	-		
080	01023-50620	BOLT	VIS	BOLZEN	9	-		
090	16261-0704-0	ASSY BRG. CASE, MAIN	ENS. PALIER VILEBREQ.	GRP. LAGERGEHAEUSE	<=6K9999	-		#
090	16261-0704-5	ASSY BRG. CASE, MAIN	ENS. PALIER VILEBREQ.	GRP. LAGERGEHAEUSE	>=6L0001	-	←	#
092	16241-0454-0	BOLT, BEARING CASE	VIS	BOLZEN, LAGERKASTEN	2	-		
095	16241-2348-0	METAL, CRANKSHAFT	COUSSINET DE VILEBR.	METALLTEIL, KURBELWE	1	-		STD SET
095	16241-2393-0	METAL, CRANKSHAFT	COUSSINET DE VILEBR.	METALLTEIL, KURBELWE	1	-		-0.20mm SET
095	16241-2394-0	METAL, CRANKSHAFT	COUSSINET DE VILEBR.	METALLTEIL, KURBELWE	1	-		-0.40mm SET
100	16241-0456-0	BOLT, BEARING CASE	VIS	BOLZEN, LAGERKASTEN	2	-		

↔ Interchangeable; ≠ not interchangeable; ← new for old; → old for new

0101

CAMSHAFT AND IDLE GEAR SHAFT
 ARBRE A CAMES ET ARBRE DE PIGNON DE RALENTI
 NOCKENWELLE UND FREILAUFGETRIEBEWELLE

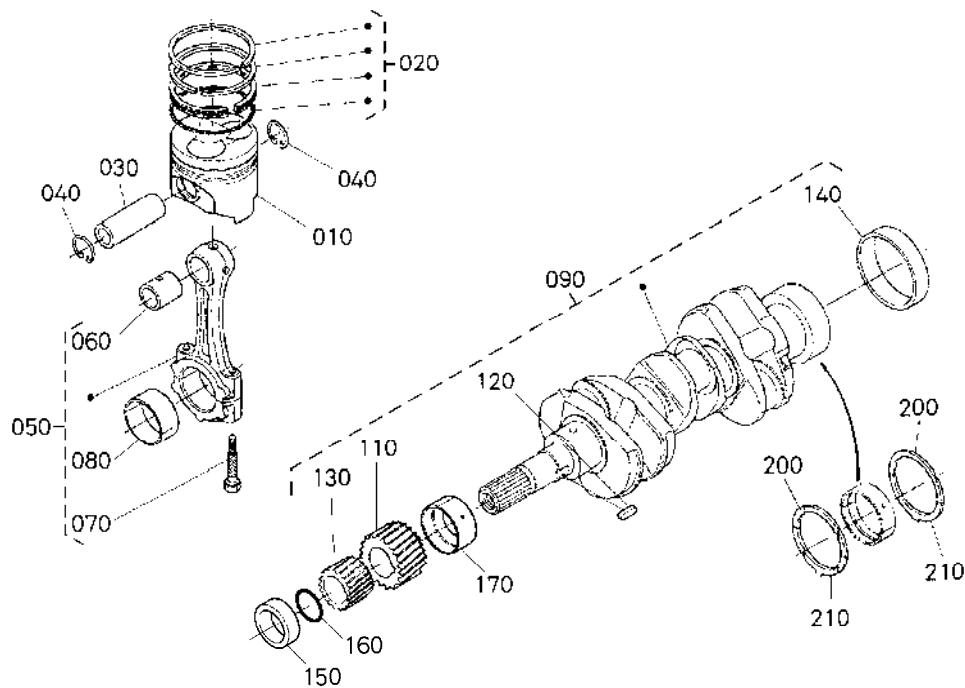


A:D1105-E2B-EU-X1

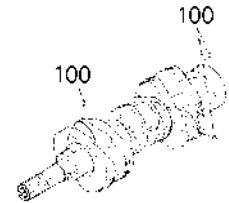
REF. No. POS. No. BILD-Nr.	PART No. REFERENCE BESELL-Nr.	PART NAME	DESIGNATION	BEZEICHNUNG	Q'TY/S. No. Q' TE/No S. STUECK/S. Nr.		I. C.	REMARKS REMARQUES BEMERKUNGEN
					A	B		
010	16261-1555-0	TAPPET	POUSSOIR	STOSSEL	6 ≤6F9999	-		#
010	16673-1555-0	TAPPET	POUSSOIR	STOSSEL	6 ≥6G0001	-	←	#
020	16241-1511-0	PUSH ROD	TIGE DE POUSSOIR	STOSSELSTANGE	6	-		
030	16261-1691-0	ASSY CAMSHAFT	ENS. ARBRE A CAMES	GRP. NOCKENWELLE	1	-		#
040	15521-9361-0	SCREW SET	VIS D' ARRET	ANSCHLAGSCHRAUBE	1	-		
050	16241-1651-0	GEAR, CAM	PIGNON	ZAHNRAD	1	-		
060	05712-00518	KEY, FEATHER	CLAVETTE	KEIL	1	-		
070	16241-1627-0	STOPPER, CAMSHAFT	BOUCHON ARBRE A CAME	NOCKENWELLESPERRPLA.	1	-		
080	01023-50616	BOLT	VIS	BOLZEN	2	-		
090	16271-2401-0	COMP GEAR, IDLE	PIGNON. COMP	KOMP. LEERLAUFGETRIEB	1	-		
100	16271-2498-0	BUSH, IDLE GEAR	BAGUE DU PIGNON	BUCHSE, LEERLAUFGETR.	1	-		
110	16271-2402-0	COMP GEAR, IDLE	PIGNON. COMP	KOMP. LEERLAUFGETRIEB	1	-		
120	16271-2498-0	BUSH, IDLE GEAR	BAGUE DU PIGNON	BUCHSE, LEERLAUFGETR.	1	-		
130	16241-2436-0	COLLAR, IDLE GEAR	COLLIER DE PIGNONF.	HUELSELEERLAUFGETRI.	2	-		
140	16241-2437-0	COLLAR, IDLE GEAR	COLLIER DE PIGNONF.	HUELSELEERLAUFGETRI.	2	-		
150	16241-2432-0	CIR CLIP, IDLE GEAR	CIRCLIP	SEEGERING	2	-		
160	16241-2425-0	SHAFT, IDLE GEAR	ARBRE DE PIGNON FOU	WELLE, FREILAUFGETR.	1	-		
170	01023-50616	BOLT	VIS	BOLZEN	3	-		

↔ Interchangeable; ≠ not interchangeable; ← new for old; → old for new

0102

**PISTON AND CRANKSHAFT
PISTON ET VILEBREQUIN
KOLBEN UND KURBELWELLE**


OLD PART



16611-172-13

1G905-800-10

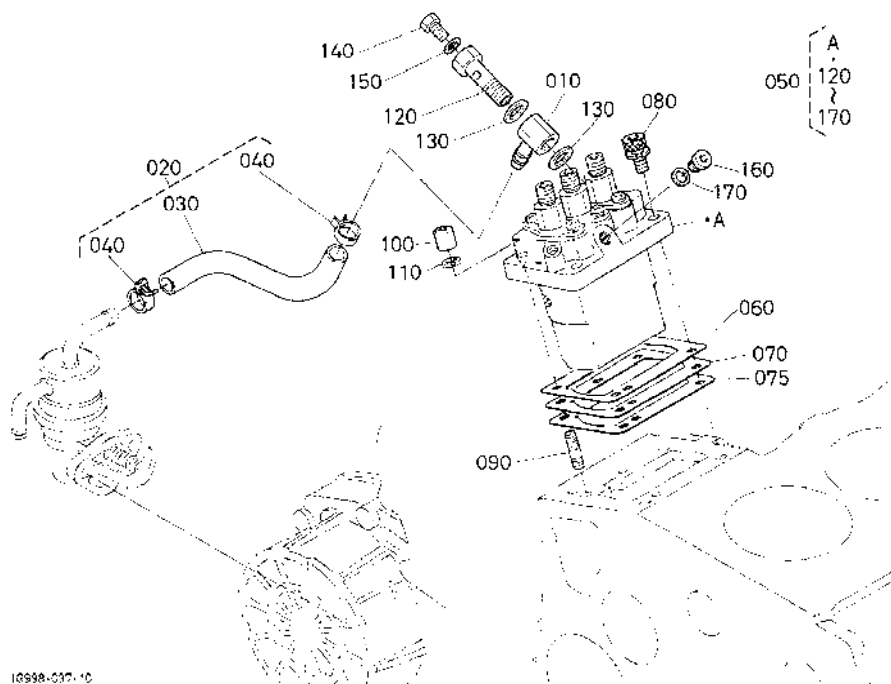
A:D1105-E2B-EU-X1

REF. No. PCS. No. BILD-Nr.	PART No. REFERENCE BESELL-Nr.	PART NAME	DESIGNATION	BEZEICHNUNG	Q'TY/S.No. Q'TE/No.S. STUECK/S.Nr.		I. C.	REMARKS REMARQUES BEMERKUNGEN
					A	B		
010	16060-2111-0	PISTON	PISTON	KOLBEN	3 ≤5F9999	-		STD ORDER BY 010, 020 NEW PARTS.(SET)
010	16060-2111-3	PISTON	PISTON	KOLBEN	3 ≥5G0001	-	≠	STD
010	16060-2111-4	PISTON	PISTON	KOLBEN	3 ≥5W0001	-	←	STD
010	16060-2191-0	PISTON	PISTON	KOLBEN	3 ≤5F9999	-		+0.50mm ORDER BY 010, 020 NEW
010	16060-2191-3	PISTON	PISTON	KOLBEN	3 ≥5G0001	-	≠	+0.50mm
010	16060-2191-4	PISTON	PISTON	KOLBEN	3 ≥5W0001	-	←	+0.50mm
020	16261-2105-0	ASSY PISTON RING	ENS. SEGMENT	GRP. KOLBENRING	3 ≤5F9999	-		STD
020	16292-2105-0	ASSY PISTON RING	ENS. SEGMENT	GRP. KOLBENRING	3 ≥5G0001	-	≠	STD
020	16261-2109-0	ASSY PISTON RING	ENS. SEGMENT	GRP. KOLBENRING	3 ≤5F9999	-		+0.50mm
020	16292-2109-0	ASSY PISTON RING	ENS. SEGMENT	GRP. KOLBENRING	3 ≥5G0001	-	≠	+0.50mm
030	16241-2131-0	PIN, PISTON	AXE DE PISTON	KOLBENBOLZEN	3	-		
040	16241-2133-0	CIR CLIP, PISTON PIN	CIRCLIP	SEEGERING	6	-		
050	16241-2201-2	ASSY ROD, CONNECTING	ENS. BIELLE	TRIEBSTANGE KOMP	3 ≤6V9999	-		
050	1G700-2201-0	ASSY ROD, CONNECTING	ENS. BIELLE	TRIEBSTANGE KOMP	3 ≥6W0001	-	↔	
060	16241-2198-2	BUSH, PISTON PIN	BAGUE DE BIELLE	BUCHSE, KOLBENSTIFT	3 ≤7H2999	-		#
060	1G700-2198-0	BUSH, PISTON PIN	BAGUE DE BIELLE	BUCHSE, KOLBENSTIFT	3 ≥7J0001	-	←	#
070	16241-2214-2	BOLT, CONNECTING ROD	VIS DE BIELLE	BOLZEN	6	-		
080	16241-2231-0	METAL, CRANKPIN	COUSSINET DE BIELLE	METALLTEIL	3	-		STD SET
080	16241-2297-0	METAL, CRANKPIN	COUSSINET DE BIELLE	METALLTEIL	3	-		-0.20mm SET
080	16241-2298-0	METAL, CRANKPIN	COUSSINET DE BIELLE	METALLTEIL	3	-		-0.40mm SET
090	16265-2301-3	COMP. CRANKSHAFT	VILEBREQUIN COMPLET	KOMP. KURBELWELLE	1	-		
100	07715-00401	BALL	BILLE	KUGEL	3 ≤6X9999	-		
110	16241-2411-0	GEAR, CRANK	PIGNON	ZAHNRAD	1	-		
120	16271-9523-0	KEY	CLAVETTE	KEIL	1	-		
130	16241-3563-0	GEAR, OIL PUMP DRIVE	PIGNON ENTRAIN. POMPE	GETRIEBE	1	-		
140	16241-2328-0	SLEEVE, CRANKSHAFT	FRETTE ARRIERE	MUFFE	1	-		
150	16241-2325-0	COLLAR, CRANKSHAFT	COLLIER VILEBREQUIN	HALSRING	1	-		
160	04814-10280	RING	BAGUE	RING	1	-		
170	16241-2347-0	METAL, CRANKSHAFT	COUSSINET DE VILEBR.	METALLTEIL	1	-		STD
170	16241-2391-0	METAL, CRANKSHAFT	COUSSINET DE VILEBR.	METALLTEIL	1	-		-0.20mm

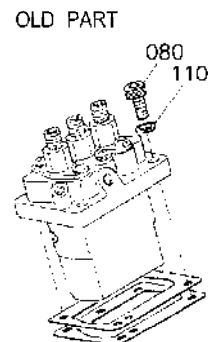
↔ Interchangeable; ≠ not interchangeable; ← new for old; → old for new

0202

INJECTION PUMP
POMPE D' INJECTION
EINSPRITZPUMPE



12998-037-10



1J905-800-11

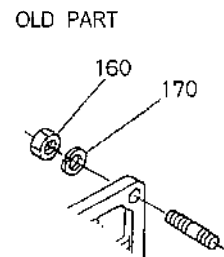
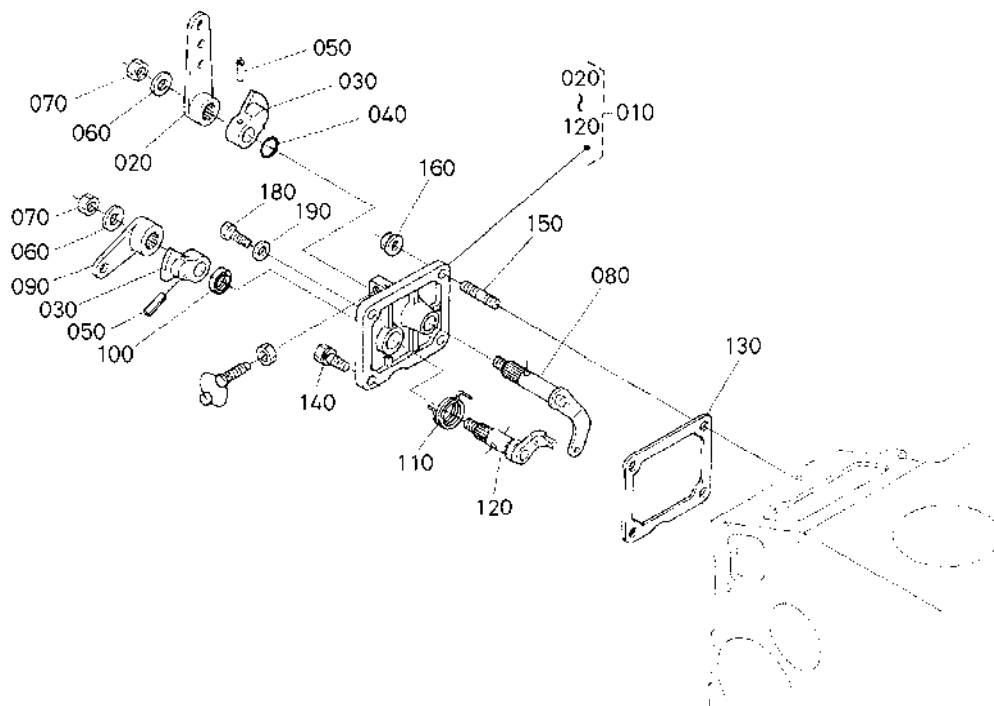
A:D1105-E2B-EU-X1

REF. No. PCS. No. BILD-Nr.	PART No. REFERENCE BESELL-Nr.	PART NAME	DESIGNATION	BEZEICHNUNG	Q'TY/S.No. Q'TE/No.S. STUECK/S.Nr.		I. C.	REMARKS REMARQUES BEMERKUNGEN
					A	B		
010	16241-9569-0	JOINT, EYE	RACCORD	VERBINDUNGSSTUECK	1	-		
020	16032-4201-0	ASSY TUBE, FUEL	ENS. TUYAU GARBURANT	GRP. KRAFTSTOFFROHR	1	-		
030	09661-80075	TUBE, FUEL	TUYAU	KRAFTSTOFFROHR	1	-		
040	14911-4275-0	CLIP, PIPE	ATTACHE	ROHRKLEMME	2	-		
050	16030-5101-0	ASSY PUMP, INJECTION	ENS. POMPE INJECTION	GRP. EINSPRITZPUMPE	1	-		
060	1G700-5220-0	SHIM, INJECTION PUMP	CALE. POMPE INJECTION	ABSTANDSSCHEIBE	1	-		Ø 175mm
060	16006-5209-2	SHIM, INJECTION PUMP	CALE. POMPE INJECTION	ABSTANDSSCHEIBE	1	-		Ø 200mm
060	16006-5211-2	SHIM, INJECTION PUMP	CALE. POMPE INJECTION	ABSTANDSSCHEIBE	1	-		Ø 250mm
070	16006-5212-2	SHIM, INJECTION PUMP	CALE. POMPE INJECTION	ABSTANDSSCHEIBE	1	-		Ø 300mm
075	1G700-5216-0	SHIM, INJECTION PUMP	CALE. POMPE INJECTION	ABSTANDSSCHEIBE	1	-		Ø 350mm
080	01311-10620	BOLT, HEX-SOC-HD	VIS	BOLZEN	2 ≤7Z7999	-		#
080	16871-9106-0	BOLT, HEX-SOC-HD	VIS	BOLZEN	2 ≥8A0001	-	←	#
090	15841-9150-0	STUD	GOUJON	STEBBOLZEN	2	-		
100	15841-9232-0	NUT	ECROU	MUTTER	2	-		
110	04512-60060	WASHER, SPRING	RONDELLE GROWER	FEDERRING	4 ≤7Z7999	-		#
110	04512-60060	WASHER, SPRING	RONDELLE GROWER	FEDERRING	2 ≥8A0001	-		#
120	16030-5132-0	BOLT, JOINT	VIS	BOLZEN, ABSCHLUSS	1	-		
130	15841-9665-0	GASKET	JOINT	DICHTUNGSPLATTE	2	-		
140	15841-5135-0	SCREW	VIS	SCHRAUBE	1	-		
150	15841-9666-0	GASKET	JOINT	DICHTUNGSPLATTE	1	-		
160	16030-9601-0	PLUG	BOUCHON	STOPFEN	1	-		
170	15861-9665-0	GASKET	JOINT	DICHTUNGSPLATTE	1	-		

↔ Interchangeable; ≠ not interchangeable; ← new for old; → old for new

0205

SPEED CONTROL PLATE
 PLAQUE DE VITESSE-CONTROLE
 GESCHWINDIGKEITS-REGLERPLATTE



16614-016-24

1G988-809-10

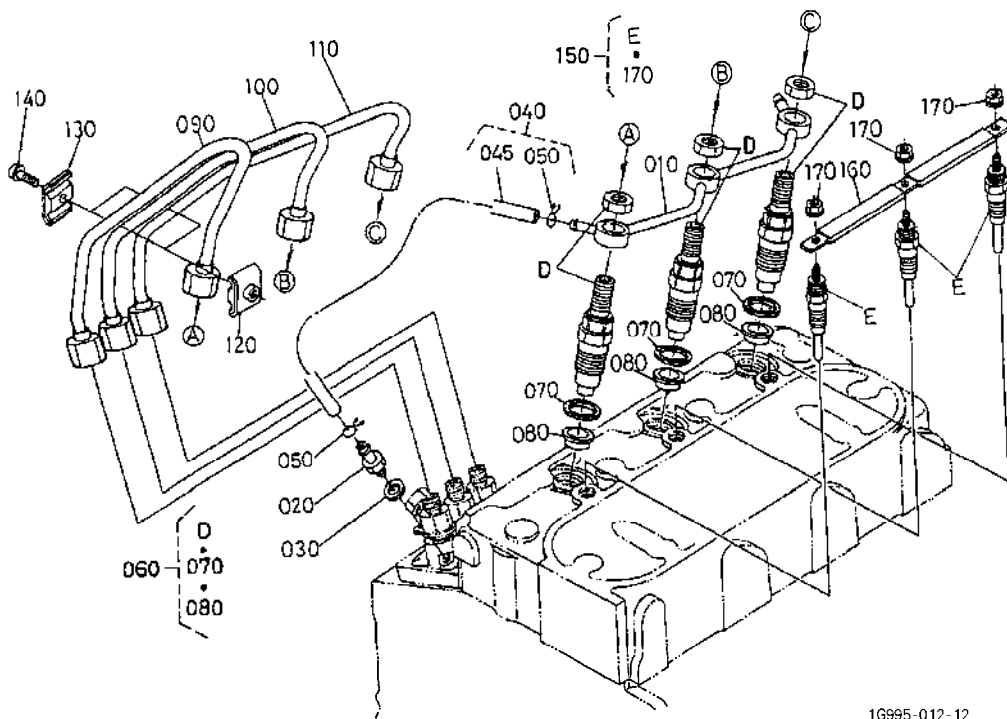
A:D1105-E2B-EU-X1

REF. No. POS. No. BILD-Nr.	PART No. REFERENCE BESELL-Nr.	PART NAME	DESIGNATION	BEZEICHNUNG	Q'TY/S.No. Q'TE/No.S. STUECK/S.Nr.		I. C.	REMARKS REMARQUES BEMERKUNGEN
					A	B		
010	16299-5701-5	ASSY PLATE, CONTROL	PLATEAU DE COMMANDE	GRP. REGELPLATTE	1	-		
020	16271-5715-0	LEVER, SPEED CONTROL	LEVIER DE VIT-CONTRO	DREHZAHLVERSTELHEBEL	1	-		
030	16241-5716-0	LEVER, SPEED CONTROL	LEVIER DE VIT-CONTRO	DREHZAHLVERSTELHEBEL	2	-		
040	04814-00100	O RING	JOINT TORIQUE	O RING	1	-		
050	05411-00420	PIN, SPRING	GOUPILLE-RESSORT	STIFT, FRUEHLING	2	-		
060	16241-9402-0	WASHER, PLAIN	RONDELLE FREIN	SCHEIBE	2	-		
070	16241-9202-0	NUT	ECROU	MUTTER	2	-		
080	16271-5602-3	COMP. LEVER, GOVERNOR	AXE D'ACCELERATEUR	KOMP. REGLERHEBEL	1	-		
090	16271-5772-0	LEVER, ENGINE STOP	LEVIER D'ARRET	MOTOR-STOPHEBEL	1	-		
100	15471-5798-0	SEAL, OIL	BAGUE JOINT	OELDICHTUNGSRING	1	-		
110	16222-5751-0	SPRING RETURN	RESSORT DE RAPPEL	RUECKZUGFEDER	1	-		
120	16271-5774-0	SHAFT, STOP LEVER	ARBRE D'ARRET-LEVIER	WELLE	1	-		
130	16264-5721-0	GASKET	JOINT	DICHTUNGSPLATTE	1	-		
140	01023-50616	BOLT	VIS	BOLZEN	1	-		
150	16245-9154-0	STUD	GOUJON	STEBBOLZEN	2	-		
160	02056-50060	NUT	ECROU	MUTTER	2 ≤=7VZ999	-		#
160	02751-50060	NUT, FLANGE	ECROU A EMBASE	FLANSCHEN-MUTTER	2 ≥=7W0001	-	←	#
170	04512-60060	WASHER, SPRING	RONDELLE GROWER	FEDERRING	2 ≤=7VZ999	-		#
180	01053-50618	BOLT	VIS	BOLZEN	1	-		
190	15601-9665-0	GASKET	JOINT	DICHTUNGSPLATTE	1	-		

↔ Interchangeable; ≠ not interchangeable; ← new for old; → old for new

0206

NOZZLE HOLDER AND GLOW PLUG
 PORTE-INJECTEUR ET BOUGIE DE PRECHAUFFAGE
 DUESENHALTER UND GLUEHKERZE



1G995-012-12

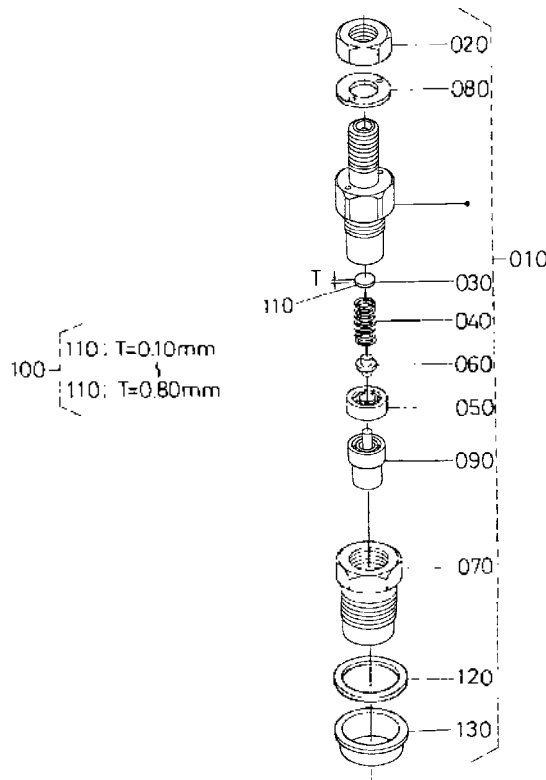
A:D1105-E2B-EU-X1

REF. No. POS. No. BILD-Nr.	PART No. REFERENCE BESELL-Nr.	PART NAME	DESIGNATION	BEZEICHNUNG	Q'TY/S.No. Q'TE/No.S. STUECK/S.Nr.		I. C.	REMARKS REMARQUES BEMERKUNGEN
					A	B		
010	16261-4250-2	ASSY PIPE, OVER FLOW	ENS. TUYAU TROP-PLEIN	GRP. UEBERLAUFROHR	1	-		
020	15841-5136-0	SCREW, AIR BLEEDER	VIS DE AIR-AVICL TEUR	SCHRAUBE	1	-		
030	15601-9665-0	GASKET	JOINT	DICHTUNGSPLATTE	1	-		
040	15841-4250-0	ASSY PIPE, OVER FLOW	ENS. TUYAU TROP-PLEIN	GRP. UEBERLAUFROHR	1	-		
045	15841-4252-0	PIPE, FUEL OVER FLOW	TUYAU DE TROP-PLEIN	KRAFTSTOFFU-LAUFROHR	1	-		
050	14971-4275-0	CLIP, PIPE	ATTACHE	ROHRKLEMME	2	-		
060	1G065-5390-0	KIT HOLDER, NOZZLE	ENS. PORTE-INJECTEUR	GRP. DUESENHALTER	3	-		
070	15841-5362-2	GASKET	JOINT	DICHTUNGSPLATTE	3	-		
080	19077-5365-0	SEAL, HEAT	JOINT DE CHALEUR	DICHTUNG	3	-		
090	16271-5371-2	PIPE, INJECTION	TUYAU D' INJECTEUR	EINSPRITZROHR	1	-		
100	16271-5372-2	PIPE, INJECTION	TUYAU D' INJECTEUR	EINSPRITZROHR	1	-		
110	16271-5373-2	PIPE, INJECTION	TUYAU D' INJECTEUR	EINSPRITZROHR	1	-		
120	15841-5385-0	CLAMP, PIPE	COLLIER DE TUYAU	ROHRKLEMME	2	-		
130	15841-5386-0	CLAMP, PIPE	COLLIER DE TUYAU	ROHRKLEMME	2	-		
140	03024-50520	SCREW, WITH WASHER	VIS	SCHRAUBE	2	-		
150	16851-6551-2	GLOW PLUG	BOUGIE, PRE-CHAUFFAGE	GLUEHSTOEPSSEL	3 ≤ 7/1/4999	-	#	
150	16281-6551-0	GLOW PLUG	BOUGIE, PRE-CHAUFFAGE	GLUEHSTOEPSSEL	3 ≥ 7/60001	-	↔ #	
160	16261-6556-0	CORD, GLOW PLUG	FILDEBOUG. PRECHAUFF.	GLUEHKERZEKORD	1	-		
170	02761-50040	NUT, FLANGE	ECROU A EMBASE	FLANSCHEN-MUTTER	3	-		

↔ Interchangeable; ≠ not interchangeable; ← new for old; → old for new

0207

NOZZLE HOLDER (COMPONENT PARTS)
 PORTE-INJECTEUR (PARTIES COMPOSANTES)
 DUESENHALTER (EINZEL-TEIL)



1G347-015-10

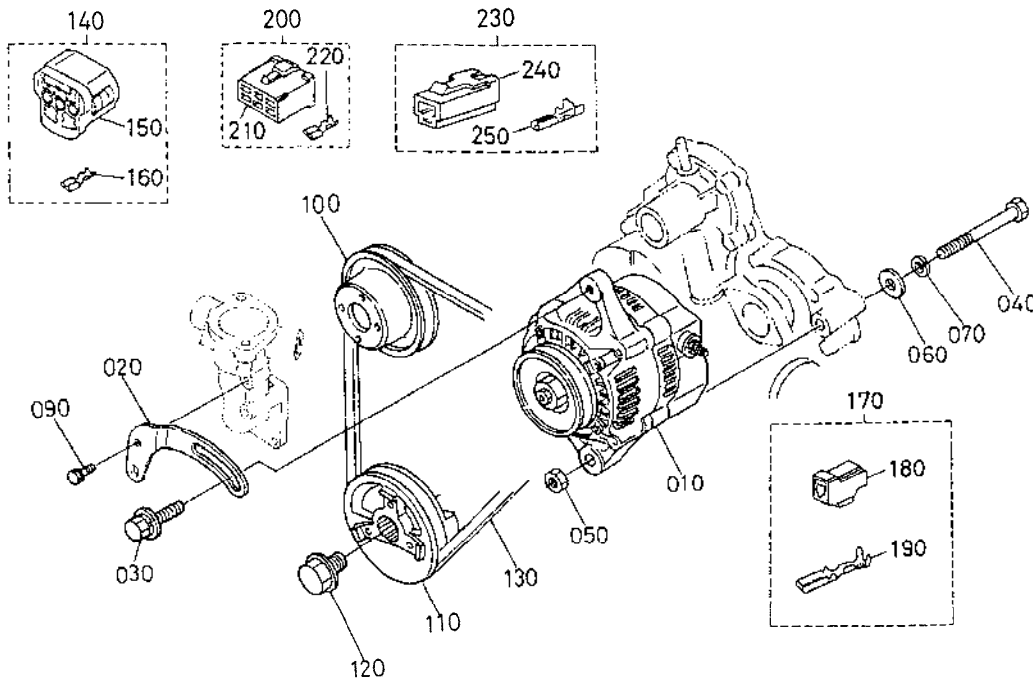
A:D1105-E2B-EU-X1

REF. No. PCS. No. BUILD-Nr.	PART No. REFERENCE BESELL-Nr.	PART NAME	DESIGNATION	BEZEICHNUNG	Q'TY/S. No. Q'TE/No. S. STUECK/S. Nr.		I. C.	REMARKS REMARQUES BEMERKUNGEN
					A	B		
010	1G065-5390-0	KIT HOLDER, NOZZLE	ENS. PORTE-INJECTEUR	GRP. DUESENHALTER	3	-		
020	16032-9203-0	NUT	ECROU	MUTTER	3	-		
030	16032-5323-0	WASHER, ADJUSTING	RONDELLE DE REGLAGE	EINSTELLSCHIEBE	3	-		
040	16032-5317-0	SPRING, NOZZLE	RESSORT D' INJECTEUR	FEDER	3	-		
050	16032-5335-0	SPACER, DISTANCE	ENTRETOISE	DI STANZSCHEIBE	3	-		
060	16032-5316-0	PUSH ROD	TIGE DE POUSSOIR	STOSSELSTANGE	3	-		
070	16032-5328-0	NUT, NOZZLE	ECROU D' INJECTEUR	MUTTER	3	-		
080	16032-9404-0	WASHER, PLAIN	RONDELLE FREIN	SCHEIBE	3	-		
090	1G065-5361-0	PIECE, NOZZLE	ELEMENT D' INJECTEUR	DUESENSTUECK	3	-		
100	16032-9810-0	ASSY WASHER, ADJUST	ENS. RONDELLE	GRP. EINSTELLSCHIEBE	3	-		OPTION
110	16032-9850-0	WASHER, ADJUSTING	RONDELLE DE REGLAGE	EINSTELLSCHIEBE	3	-		0.10mm
110	16032-9851-0	WASHER, ADJUSTING	RONDELLE DE REGLAGE	EINSTELLSCHIEBE	3	-		0.20mm
110	16032-9852-0	WASHER, ADJUSTING	RONDELLE DE REGLAGE	EINSTELLSCHIEBE	3	-		0.30mm
110	16032-9853-0	WASHER, ADJUSTING	RONDELLE DE REGLAGE	EINSTELLSCHIEBE	3	-		0.40mm
110	16032-9854-0	WASHER, ADJUSTING	RONDELLE DE REGLAGE	EINSTELLSCHIEBE	3	-		0.50mm
110	16032-9855-0	WASHER, ADJUSTING	RONDELLE DE REGLAGE	EINSTELLSCHIEBE	3	-		0.52mm
110	16032-9856-0	WASHER, ADJUSTING	RONDELLE DE REGLAGE	EINSTELLSCHIEBE	3	-		0.54mm
110	16032-9857-0	WASHER, ADJUSTING	RONDELLE DE REGLAGE	EINSTELLSCHIEBE	3	-		0.56mm
110	16032-9858-0	WASHER, ADJUSTING	RONDELLE DE REGLAGE	EINSTELLSCHIEBE	3	-		0.58mm
110	16032-9859-0	WASHER, ADJUSTING	RONDELLE DE REGLAGE	EINSTELLSCHIEBE	3	-		0.80mm
120	15841-5362-2	GASKET	JOINT	DICHTUNGSPLATTE	3	-		
130	19077-5365-0	SEAL, HEAT	JOINT DE CHALEUR	DICHTUNG	3	-		

↔ Interchangeable; ≠ not interchangeable; ← new for old; → old for new

0402

ALTERNATOR AND PULLEY
ALTERNATEUR
WECHSELSTROMMASCHINE



1G905-052-10

16622-809-10

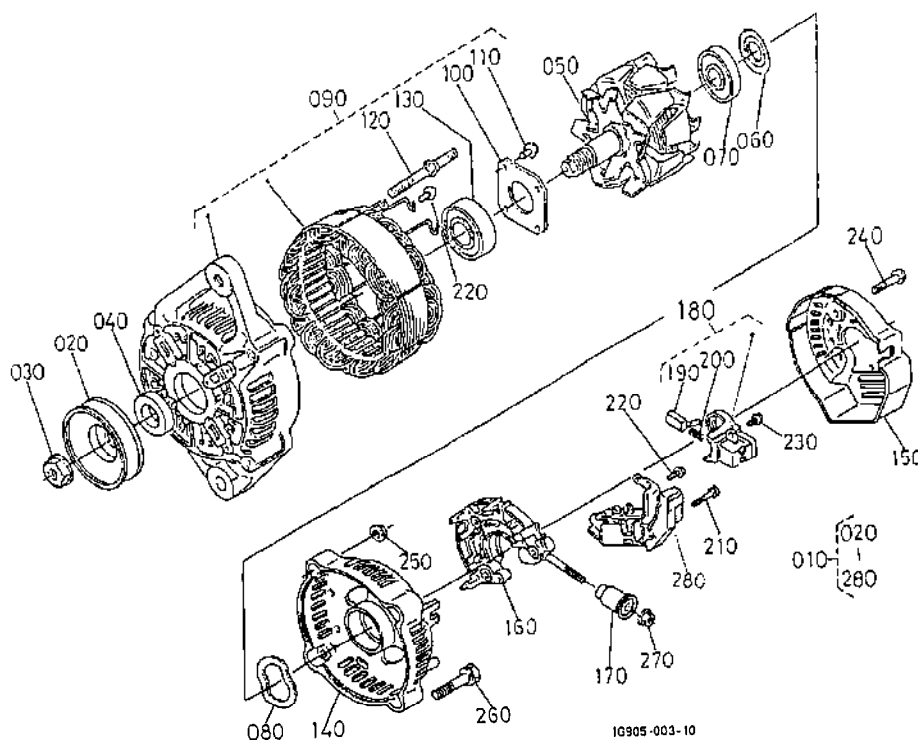
A:D1105-E2B-EU-X1

REF. No. PCS. No. BILD-Nr.	PART No. REFERENCE BESELL-Nr.	PART NAME	DESIGNATION	BEZEICHNUNG	Q'TY/S.No. Q'TE/No.S. STUECK/S.Nr.		I. C.	REMARKS REMARQUES BEMERKUNGEN
					A	B		
010	16678-6401-2	ASSY ALTERNATOR	ALTERNATEUR COMPLET	GRP. WECHSELSTROMDYN.	1	-		12V 40A
020	16241-6442-0	STAY, DYNAMO	TENDEUR	DYNAMOSTANGE	≤6M9999	-		#
020	16241-6442-2	STAY, DYNAMO	TENDEUR	DYNAMOSTANGE	≥6N0001	-	←	#
030	01123-50830	BOLT	VIS	BOLZEN	≤4E9526	-		
030	01127-50830	BOLT	VIS	BOLZEN	≥4G0001	-	←	
040	01173-51085	BOLT	VIS	BOLZEN	1	-		
050	02176-50100	NUT	ECROU	MUTTER	1	-		
060	04011-50100	WASHER, PLAIN	RONDELLE FREIN	SCHEIBE	1	-		
070	04512-60100	WASHER, SPRING	RONDELLE GROWER	FEDERRING	1	-		
080	04015-60080	WASHER, PLAIN	RONDELLE FREIN	SCHEIBE	←4E9526	-		
090	01023-50616	BOLT	VIS	BOLZEN	1	-		
100	16241-7425-0	PULLEY, FAN	POULIE VENTILATEUR	VENTILATORSCHIEBE	1	-		
110	16229-7428-0	PULLEY, FAN DRIVE	POULIE ENTRAIN. VENT.	RIEMENSCHIEBE	1	-		
120	16241-9102-0	BOLT, FAN DRIVE	VIS	BOLZEN	1	-		
130	16282-9701-0	V BELT	COURROIE	RIEMEN	1	-		37.5in
140	16678-6583-0	ASSY CONNECTOR, 2	ENS. CONNECTEUR	GRP. ANSCHLUBE	1	-		
150	16631-6584-0	CONNECTOR	CONNECTEUR	ANSCHLUBE	1	-		
160	19237-6591-0	TERMINAL	DEBORNE	ANSCHLUBKLEMME	3	-		
170	1C010-6583-0	ASSY COUPLER	ENS. COUPLEUR	GRP. KUPPLER	1	-		
180	1C010-6588-0	CONNECTOR	CONNECTEUR	ANSCHLUBE	1	-		
190	1C010-6591-0	TERMINAL	DEBORNE	ANSCHLUBKLEMME	2	-		
200	16662-6583-0	ASSY COUPLER, CONNec.	ENS. COUPLEUR CONNec.	GRP. KUPPLERANSCHLUBE	1	-		
210	19872-6584-0	CONNECTOR	CONNECTEUR	ANSCHLUBE	1	-		
220	19237-6591-0	TERMINAL	DEBORNE	ANSCHLUBKLEMME	2	-		
230	19215-6375-0	TERMINAL	DEBORNE	ANSCHLUBKLEMME	1	-		
240	11521-6592-0	CONNECTOR	CONNECTEUR	ANSCHLUBE	1	-		
250	11521-6597-0	TERMINAL	DEBORNE	ANSCHLUBKLEMME	1	-		

↔ Interchangeable; ≠ not interchangeable; ← new for old; → old for new

0403

ALTERNATOR (COMPONENT PARTS)
 ALTERNATEUR (PARTIES COMPOSANTES)
 WECHSELSTROMMASCHINE (EINZEL-TEIL)



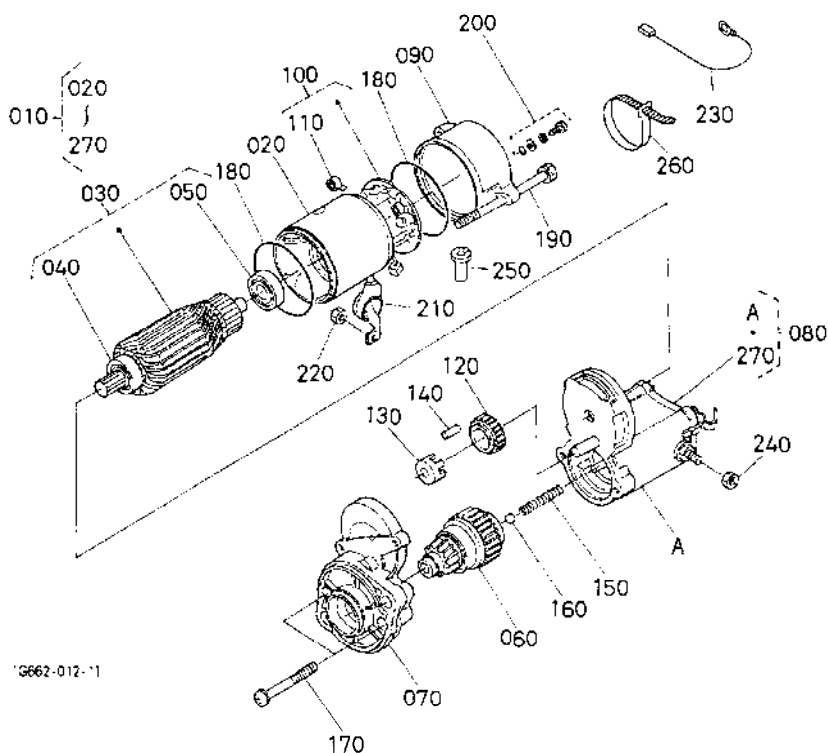
A:D1105-E2B-EU-X1

REF. No. PCS. No. BILD-Nr.	PART No. REFERENCE BESELL-Nr.	PART NAME	DESIGNATION	BEZEICHNUNG	Q'TY/S.No. Q'TE/No S. STUECK/S.Nr.		I. C.	REMARKS REMARQUES BEMERKUNGEN
					A	B		
010	16678-6401-2	ASSY ALTERNATOR	ALTERNATEUR COMPLET	GRP. WECHSELSTROMDYN.	1	-		
020	15881-6411-0	PULLEY, DYNAMO	POULIE D' ALTERNATEUR	RIEMENSCHLEIBE, DYNAMO	1	-		
030	15881-9201-0	NUT	ECROU	MUTTER	1	-		
040	15881-6415-0	COLLAR	COLLIER	HUELSE	1	-		
050	66436-6404-0	ROTOR	ROTOR	ROTOR	1	-		
060	15881-6480-0	COVER, BEARING	COUVERCLE	DECKEL	1	-		
070	16652-6477-0	BEARING, BALL	ROULEMENT A BILLES	KUGELLAGER	1	-		
080	15881-6481-0	WASHER, THRUST	RONDELLE DE BUTEE	DRUCKSCHEIBE	1	-		
090	66436-6402-0	ASSY FRAME, DRIVE END	ENS. BATI ARRIERE	GRP. ANTRIEBSRAHMEN	1	-		
100	15881-6471-0	PLATE, RETAINER	PLAQUE RETENUE	HALTEPLATTE	1	-		
110	15881-9301-0	SCREW, ROUND HEAD	VIS A TETE RONDE	RUNDKOPFSCHRAUBE	4	-		
120	15881-6426-0	BOLT, THROUGH	VIS. PASSANT	DURCHGEHENDERBOLZEN	2	-		
130	16652-6478-0	BEARING, BALL	ROULEMENT A BILLES	KUGELLAGER	1	-		
140	16678-6406-0	FRAME, END	BATI	RAHMEN	1	-		
150	16678-6423-0	COVER, END	PALIER ARRIERE	DECKEL	1	-		
160	15881-6485-0	ASSY RECTIFIER	REDRESSEUR	MONT. GLEICHRICHTER	1	-		
170	15881-6490-0	BUSH, INSULATION	BAGUE ISOLANTE	BUCHSE	1	-		
180	16652-6431-0	HOLDER, BRUSH	PORTE-BALAI	BUERSTEN HALTER	1	-		
190	15881-6409-0	BRUSH	PATTE D' ATTACHE	BUERSTE	2	-		
200	15881-6433-0	SPRING, BRUSH	RESSORT DE BALAI	SCHLEIFBUERSTENFEDER	2	-		
210	15881-9302-0	SCREW, ROUND HEAD	VIS A TETE RONDE	RUNDKOPFSCHRAUBE	2	-		
220	15881-9303-0	SCREW, ROUND HEAD	VIS A TETE RONDE	RUNDKOPFSCHRAUBE	6	-		
230	15881-9304-0	SCREW, ROUND HEAD	VIS A TETE RONDE	RUNDKOPFSCHRAUBE	1	-		
240	15881-9104-0	BOLT	VIS	BOLZEN	3	-		
250	15881-9202-0	NUT	ECROU	MUTTER	2	-		
260	15881-9105-0	BOLT	VIS	BOLZEN	2	-		
270	14182-9203-0	NUT	ECROU	MUTTER	1	-		
280	16652-6460-0	ASSY REGULATOR	REGULATEUR	REGULATOR	1	-		

↔ Interchangeable; ≠ not interchangeable; ← new for old; → old for new

0405

STARTER (COMPONENT PARTS) DEMARREUR (PARTIES COMPOSANTES) ANLASSER (EINZEL-TEIL)



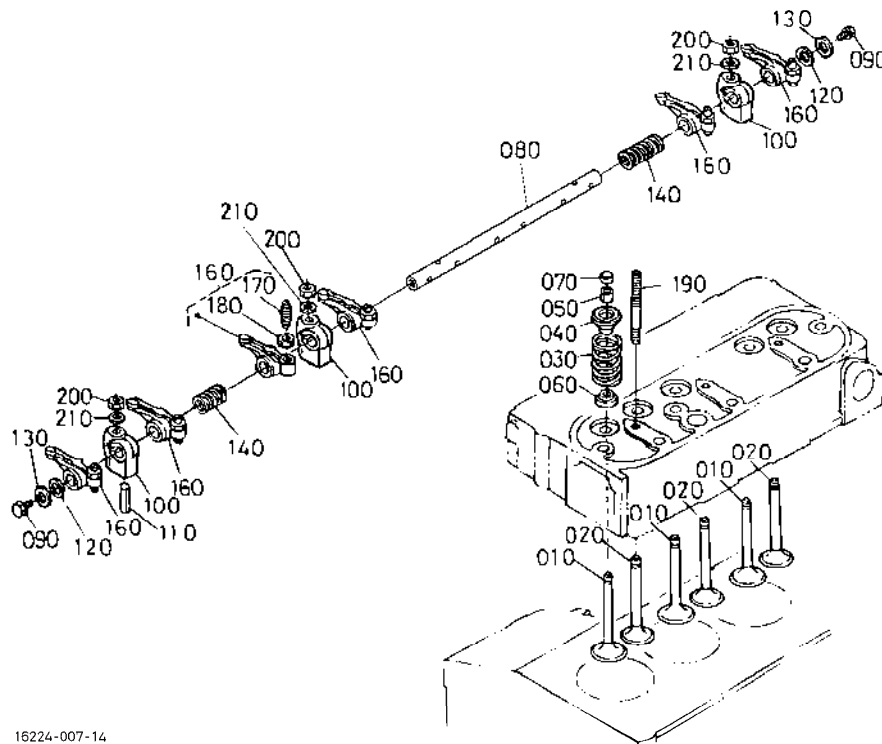
A:D1105-E2B-EU-X1

REF. No. PCS. No. BILD-Nr.	PART No. REFERENCE BESELL-Nr.	PART NAME	DESIGNATION	BEZEICHNUNG	Q'TY/S.No. Q'TE/No.S. STUECK/S.Nr.		I. C.	REMARKS REMARQUES BEMERKUNGEN
					A	B		
010	16611-6301-0	ASSY STARTER	ENS. DEMARREUR	GRP. ANLASSER	1	-		
020	16661-6308-0	ASSY YOKE	ENS. CHAPE	GRP. GABELGELENK	1	-		
030	11197-6307-0	ASSY ARMATURE	ENS. ARMATURE	GRP. ARMATUR	1	-		
040	11460-6350-0	BEARING	ROULEMENT	LAGER	1	-		
050	11460-6353-0	BEARING	ROULEMENT	LAGER	1	-		
060	16611-6304-0	CLUTCH, OVER RUNNING	EMBRAYAGE A INERTIE	AUFLAUFKUPPLUNG	1	-		
070	16611-6303-0	FRAME, DRIVE END	BATI	ANTRIEBSRAHMEN	1	-		
080	16611-6302-0	ASSY SWITCH, MAGNETIC	SOLENOIDE	GRP. MAGNETSCHALTER	1	-		
090	17341-6320-0	FRAME, END	BATI	RAHMEN	1	-		
100	11197-6338-0	ASSY HOLDER, BRUSH	ENS. SUPPORT	GRP. BUERSTENHALTER	1	-		
110	15401-6339-0	SPRING, BRUSH	RESSORT DE BALAI	SCHLEIFBUERSTENFEDER	4	-		
120	11460-6327-0	GEAR	ENGRENAGE	GETRIEBE	1	-		
130	11460-6311-0	RETAINER	SUPPORT	HALTESCHEIBE	1	-		
140	19212-6310-0	ROLLER	ROULEAU	ROLLE	5	-		
150	11460-6312-0	SPRING	RESSORT	FEDER	1	-		
160	19212-9713-0	BALL	BILLE	KUGEL	1	-		
170	11460-9331-0	BOLT	VIS	BOLZEN	2	-		
180	15511-9666-0	O RING	JOINT TORIQUE	O RING	2	-		
190	11197-6332-0	BOLT	VIS	BOLZEN	2	-		
200	15511-6376-0	ASSY BOLT	ENS. VIS	GRP. BOLZEN	2	-		
210	16611-6345-0	COVER	COUVERCLE	DECKEL	1	-		
220	16611-9202-0	NUT, HEXAGON	ECROU HEXAGONAL	MUTTER	1	-		
230	16611-6366-0	CORD, STOP SOLENOID	PRISE DE SOLENOIDE	CABLESTOPSOLENOID	1	-		
240	16285-9201-0	NUT, HEXAGON	ECROU HEXAGONAL	MUTTER	1	-		
250	16285-6357-0	PIPE, DRAIN	TUYAU DE DRAINAGE	DRANLEITUNG	1	-		
260	16612-6310-0	BAND, COVER	BANDE, COUVERCLE	FLACHRIEMEN	1	-		
270	16285-9805-0	ASSY COVER	ENS. COUVERCLE	GRP. DECKEL	1	-		

↔ Interchangeable; ≠ not interchangeable; ← new for old; → old for new

0600

VALVE AND ROCKER ARM
SOUPAPES ET CULBUTEURS
VENTIL UND KIPPENARM



16224-007-14

A:D1105-E2B-EU-X1

REF. No. PCS. No. BILD-Nr.	PART No. REFERENCE BESELL-Nr.	PART NAME	DESIGNATION	BEZEICHNUNG	Q'TY/S.No. Q'TE/No.S. STUECK/S.Nr.		I. C.	REMARKS REMARQUES BEMERKUNGEN
					A	B		
010	16241-1311-0	VALVE, INLET	SOUPAPE D' ADMISSION	EINLASSVENTIL	3 ≤6B9999	-		#ORDER BY 010, 020 NEW PARTS (SET)
010	16241-1311-5	VALVE, INLET	SOUPAPE D' ADMISSION	EINLASSVENTIL	3 ≥6C0001	-	≠	#
020	16241-1312-0	VALVE, EXHAUST	SOUPAPE D' ECHAPMENT	AUSLASSVENTIL	3 ≤6B9999	-		#ORDER BY 010, 020 NEW PARTS (SET)
020	16241-1312-6	VALVE, EXHAUST	SOUPAPE D' ECHAPMENT	AUSLASSVENTIL	3 ≥6C0001	-	≠	#
030	16271-1324-0	SPRING, VALVE	RESSORT DE SOUPAPE	VENTIL-FEDER	6	-		
040	16261-1333-0	RETAINER, SPRING	ARRETOIR DE RESSORT	HALTBUEGEL, FEDER	6	-		
050	15261-1336-0	COLLET, VALVE SPRING	DEMI CLAVETTE	KLEMMSCHEIBE	6	-		SET
060	10010-1315-0	SEAL, VALVE STEM	JOINT DE SOUPAPE	VENTILDICHTUNG	6	-		
070	16241-1328-0	CAP, VALVE	CHAPEAU DE SOUPAPE	VENTILKAPPE	6	-		
080	16261-1426-4	SHAFT, ROCKER ARM	ARBRE DE CULBUTEUR	KIPPHEBELWELLE	1	-		
090	01023-50610	BOLT	VIS	BOLZEN	2	-		
100	16241-1435-0	BRACKET, ROCKER ARM	SUPPORT DE CULBUTEUR	KIPPHEBELHALTER	3	-		
110	05411-00428	PIN, SPRING	GOUPILLE-RESSORT	STIFT, FRUEHLING	1	-		
120	16241-1443-0	WASHER, R-ARM, SHAFT	RONDELLE	SCHEIBE	2	-		
130	15841-9402-2	WASHER, PLAIN	RONDELLE FREIN	SCHEIBE	2	-		
140	16241-1431-0	SPRING, ROCKER ARM	RESSORT DE CULBUTEUR	FEDER, KIPPHEBEL	2	-		
150	---	BLANK	BLANC	LEERE SPALTE	-	-		
160	16241-1403-2	ASSY ROCKER ARM	ENS. CULBUTEURS	GRP. KIPPHEBEL	6	-		
170	16241-1423-0	SCREW, ADJUSTING	VIS DE REGLAGE	STELLSCHRAUBE	6	-		
180	16241-1424-0	NUT	ECROU	MUTTER	6	-		
190	16241-1441-0	STUD	GOUJON	STEBOLZEN	3	-		
200	15261-9201-0	NUT	ECROU	MUTTER	3	-		
210	15261-9401-0	WASHER, PLAIN	RONDELLE FREIN	SCHEIBE	3	-		

↔ Interchangeable; ≠ not interchangeable; ← new for old; → old for new

**NUMERICAL INDEX
INDEX NUMERIQUE
NUMERISCHEN INDEX**

PART No. REFERENCE BESELL-Nr.	PAGE PAGE SEITE	REF. No. POS. No. BILD-Nr.	PART No. REFERENCE BESELL-Nr.	PAGE PAGE SEITE	REF. No. POS. No. BILD-Nr.	PART No. REFERENCE BESELL-Nr.	PAGE PAGE SEITE	REF. No. POS. No. BILD-Nr.	PART No. REFERENCE BESELL-Nr.	PAGE PAGE SEITE	REF. No. POS. No. BILD-Nr.
E9151-3314-0	5	130	05712-00518	9	060	15841-5362-2	19	070	16032-9859-0	20	110
01023-50610	31	090	06311-55030	27	030		20	120	16060-2111-0	10	010
01023-50614	17	100	07715-00201	4	070	15841-5385-0	19	120	16060-2191-0	10	010
01023-50616	9	080	07715-00401	10	100	15841-5386-0	19	130	16219-7326-0	27	130
	9	170	09318-88150	5	110	15841-7302-0	1	220	16221-5442-0	14	060
	13	110	09661-80075	16	030	15841-9150-0	16	090	16221-7327-0	27	140
	18	140	11197-6307-0	25	030	15841-9202-0	14	030	16221-9112-0	2	030
	22	090	11197-6332-0	25	190	15841-9232-0	16	100	16221-9452-0	1	120
	27	060	11197-6338-0	25	100	15841-9233-0	14	040	16222-5751-0	18	110
01023-50618	13	070	11460-6311-0	25	130		14	090	16222-7284-0	27	110
01023-50618	32	040	11460-6312-0	25	150	15841-9402-2	31	130	16222-8304-0	27	100
01023-50620	8	080	11460-6327-0	25	120	15841-9602-0	26	020	16226-3211-0	2	080
01023-50625	8	070	11460-6350-0	25	040	15841-9665-0	16	130	16229-7428-0	22	110
01023-50630	28	080	11460-6353-0	25	050	15841-9666-0	16	150	16239-7343-0	28	070
	32	050	11460-9331-0	25	170	15861-9665-0	16	170	16241-0175-0	3	010
01023-50645	4	120	11521-6592-0	22	240	15881-6409-0	23	190	16241-0177-0	3	020
01023-50655	4	140	11521-6597-0	22	250	15881-6411-0	23	020	16241-0345-0	3	100
	27	070	14182-9203-0	23	270	15881-6415-0	23	040	16241-0409-2	8	010
01023-50665	4	150	14911-4275-0	16	040	15881-6426-0	23	120	16241-0421-2	4	200
01023-50685	28	090	14971-4275-0	19	050	15881-6433-0	23	200	16241-0446-0	8	050
01023-60650	4	130	15021-3366-0	1	200	15881-6471-0	23	100	16241-0454-0	8	020
	32	060	15221-0349-0	1	030	15881-6480-0	23	060	16241-0456-0	8	100
01053-50618	18	180	15221-3361-0	1	190	15881-6481-0	23	080	16241-0462-0	12	040
01123-50830	22	030	15221-3370-0	1	210	15881-6485-0	23	160	16241-0481-3	8	040
	24	020		3	120	15881-6490-0	23	170	16241-0555-0	32	020
01123-50835	27	150	15221-3375-0	2	060	15881-9104-0	23	240	16241-1311-0	31	010
01123-60814	3	030	15231-3396-0	1	130	15881-9105-0	23	260	16241-1312-0	31	020
	7	040	15241-3229-0	4	040	15881-9201-0	23	030	16241-1328-0	31	070
01123-60816	2	090	15261-0337-0	3	090	15881-9202-0	23	250	16241-1403-2	31	160
01173-51085	22	040	15261-1336-0	31	050	15881-9301-0	23	110	16241-1423-0	31	170
01311-10614	15	030	15261-9119-0	12	050	15881-9302-0	23	210	16241-1424-0	31	180
01311-10620	16	080	15261-9201-0	31	200	15881-9303-0	23	220	16241-1431-0	31	140
01754-50610	30	020	15261-9401-0	31	210	15881-9304-0	23	230	16241-1435-0	31	100
02056-50060	4	180	15261-9601-0	1	040	15951-9666-0	5	090	16241-1441-0	31	190
	18	160		3	060	15952-9233-0	5	080	16241-1443-0	31	120
	21	030	15263-1237-0	35	010	16006-5209-2	16	060	16241-1511-0	9	020
02176-50100	22	050	15321-9626-0	3	050	16006-5211-2	16	060	16241-1627-0	9	070
02761-50040	19	170	15401-6339-0	25	110	16006-5212-2	16	070	16241-1632-0	13	100
03017-50620	4	090	15451-9627-0	1	020	16020-1617-0	13	010	16241-1651-0	9	050
03024-50520	19	140	15451-9667-0	2	070	16030-5101-0	16	050	16241-2131-0	10	030
03054-50510	5	060	15471-5798-0	18	100	16030-5132-0	16	120	16241-2133-0	10	040
04011-50100	22	060	15511-6376-0	25	200	16030-9601-0	16	160	16241-2198-2	10	060
04011-50180	4	030	15511-9666-0	25	180	16032-4201-0	16	020	16241-2201-2	10	050
04015-60080	22	080	15521-2353-0	10	200	16032-5316-0	20	060	16241-2214-2	10	070
04512-60060	4	190	15521-2395-0	11	200	16032-5317-0	20	040	16241-2231-0	10	080
	15	040	15521-2396-0	11	200	16032-5323-0	20	030	16241-2297-0	10	080
	16	110	15521-9361-0	1	175	16032-5328-0	20	070	16241-2298-0	10	080
	18	170		9	040	16032-5335-0	20	050	16241-2325-0	10	150
	21	040	15521-9602-0	1	070	16032-9203-0	20	020	16241-2328-0	10	140
04512-60100	22	070		4	025	16032-9404-0	20	080	16241-2347-0	10	170
04814-00090	7	030	15601-9665-0	14	050	16032-9810-0	20	100	16241-2348-0	10	180
04814-00100	18	040		14	100	16032-9850-0	20	110	16241-2391-0	10	170
04814-00160	2	100		18	190	16032-9851-0	20	110	16241-2392-0	10	170
04814-10280	10	160		19	030	16032-9852-0	20	110	16241-2393-0	10	180
04814-50300	5	140	15694-6599-0	34	010	16032-9853-0	20	110	16241-2394-0	10	180
05012-00410	4	100	15707-3375-0	2	040	16032-9854-0	20	110	16241-2406-0	1	170
05012-00508	1	100	15841-3901-0	26	010	16032-9855-0	20	110	16241-2411-0	10	110
05012-00814	1	110	15841-4250-0	19	040	16032-9856-0	20	110	16241-2425-0	9	160
05411-00420	18	050	15841-5135-0	16	140	16032-9857-0	20	110	16241-2432-0	9	150
05411-00428	31	110	15841-5136-0	19	020	16032-9858-0	20	110	16241-2436-0	9	130

**NUMERICAL INDEX
INDEX NUMERIQUE
NUMERISCHEN INDEX**

PART No. REFERENCE BESELL-Nr.	PAGE PAGE SEITE	REF. No. POS. No. BILD-Nr.	PART No. REFERENCE BESELL-Nr.	PAGE PAGE SEITE	REF. No. POS. No. BILD-Nr.	PART No. REFERENCE BESELL-Nr.	PAGE PAGE SEITE	REF. No. POS. No. BILD-Nr.	PART No. REFERENCE BESELL-Nr.	PAGE PAGE SEITE	REF. No. POS. No. BILD-Nr.
16241-2437-0	9	140	16261-2109-0	10	020	16611-6302-0	25	080	1G065-5390-0	19	060
16241-2516-0	12	030	16261-4250-2	19	010	16611-6303-0	25	070		20	010
16241-3365-0	1	140	16261-5501-3	13	120	16611-6304-0	25	060	1G069-5601-3	17	030
16241-3507-0	4	080	16261-5628-0	1	160	16611-6345-0	25	210	1G642-7305-0	28	040
16241-3563-0	10	130	16261-5648-0	17	010	16611-6366-0	25	230	1G662-0101-0	1	010
16241-3693-0	4	060	16261-6556-0	19	160	16611-9202-0	25	220	1G680-7287-0	29	020
16241-3695-0	4	050	16261-9671-0	27	040	16612-6310-0	25	260	1G911-0512-0	5	050
16241-5111-3	13	050	16261-9730-0	13	020	16613-0150-0	2	010	1G911-0520-0	5	040
16241-5119-0	13	060	16261-9731-0	13	030	16622-8916-4	36	010	36200-8272-0	29	030
16241-5412-0	14	070	16261-9732-0	13	210	16631-6584-0	22	150	66436-6402-0	23	090
16241-5526-0	13	170	16264-0413-0	4	110	16652-6431-0	23	180	66436-6404-0	23	050
16241-5527-0	13	150	16264-0436-0	8	030	16652-6460-0	23	280	6C090-5896-0	2	050
16241-5539-2	13	130	16264-0482-0	8	060	16652-6477-0	23	070			
16241-5545-0	13	190	16264-5214-0	21	020	16652-6478-0	23	130			
16241-5546-3	13	200	16264-5721-0	18	130	16661-6308-0	25	020			
16241-5555-4	13	230	16264-7292-0	27	050	16662-6583-0	22	200			
16241-5621-0	17	110	16264-8315-2	14	120	16678-6401-2	22	010			
16241-5625-0	17	080	16264-8334-2	4	220		23	010			
16241-5633-0	17	070	16265-1231-2	33	010	16678-6406-0	23	140			
16241-5634-0	17	120	16265-2301-3	10	090	16678-6423-0	23	150			
16241-5716-0	18	030	16265-7411-0	30	010	16678-6583-0	22	140			
16241-6442-0	22	020	16271-1324-0	31	030	16683-9602-0	1	050			
16241-7334-0	28	060	16271-2401-0	9	090	16692-2501-3	12	010			
16241-7335-0	27	080	16271-2402-0	9	110	16813-6382-0	12	020			
16241-7336-0	27	090	16271-2498-0	9	100	16851-6551-0	19	150			
16241-7337-0	27	020		9	120	17203-7286-0	29	010			
16241-7425-0	22	100	16271-3209-2	6	010	17208-6001-0	15	010			
16241-9102-0	22	120	16271-5371-2	19	090	17331-7334-2	5	070			
16241-9104-0	4	160	16271-5372-2	19	100	17341-6320-0	25	090			
16241-9149-0	33	030	16271-5373-2	19	110	17391-9616-0	1	080			
16241-9202-0	18	070	16271-5506-0	13	160	17407-1177-0	32	010			
16241-9233-0	13	080	16271-5532-0	13	140	19008-7270-0	27	010			
16241-9402-0	18	060	16271-5535-0	1	180	19077-5365-0	19	080			
16241-9523-0	13	090	16271-5541-0	13	220		20	130			
16241-9569-0	16	010	16271-5602-3	18	080	19202-2354-0	11	210			
16241-9601-0	1	060	16271-5715-0	18	020	19202-2397-0	11	210			
16241-9602-0	4	020	16271-5772-0	18	090	19202-2398-0	11	210			
16241-9626-2	1	150	16271-5774-0	18	120	19212-6310-0	25	140			
16245-9153-0	4	170	16271-9201-0	33	040	19212-9713-0	25	160			
16245-9154-0	4	210	16271-9523-0	10	120	19215-6375-0	22	230			
16245-9154-0	18	150	16271-9616-0	1	090	19237-6591-0	22	160			
16251-0402-7	4	010	16272-5115-0	13	040		22	220			
16251-3513-0	4	085	16282-3650-0	7	020	19434-7301-4	27	120			
16251-7303-4	28	010	16282-9701-0	22	130	19484-5544-0	13	180			
16259-0558-0	5	120	16285-5203-2	21	010	19872-6584-0	22	210			
16259-7351-2	28	050	16285-5409-0	14	010	1C010-1315-0	31	060			
16259-7352-0	28	020	16285-5410-2	14	020	1C010-6583-0	22	170			
16259-7355-2	28	030	16285-5426-0	14	025	1C010-6588-0	22	180			
16261-0404-0	8	090	16285-5641-2	17	020	1C010-6591-0	22	190			
16261-0405-0	8	110	16285-6357-0	25	250	1E038-0331-0	3	110			
16261-1182-2	32	030	16285-9201-0	25	240	1G021-9665-0	14	110			
16261-1235-0	33	020	16285-9805-0	25	270	1G031-5421-0	14	080			
16261-1333-0	31	040	16292-2349-0	10	190	1G032-0537-0	5	020			
16261-1354-0	3	070	16292-2386-0	10	190	1G032-0551-0	5	100			
16261-1356-0	3	080	16292-2387-0	10	190	1G032-1450-0	5	010			
16261-1426-4	31	080	16299-5626-0	17	090	1G032-5613-0	17	040			
16261-1452-0	5	030	16299-5701-5	18	010	1G032-5615-0	17	050			
16261-1555-0	9	010	16611-3641-2	7	010	1G032-5647-0	17	060			
16261-1601-0	9	030	16611-6301-0	24	010	1G053-0304-0	3	040			
16261-2105-0	10	020		25	010	1G065-5361-0	20	090			

KUBOTA

THE BASIC NECESSITIES GIANT

"Technology for the Needs of Tomorrow" is the ambition of everyone at Kubota. Through research and the development of new products for agriculture, industry, construction, and many other areas of modern life, we at Kubota hope to realize this goal.

GEANT DES NECESSITES FONDAMENTALES

"La Technologie pour les Besoins de Demain" est l'ambition de chacun CHEZ KUBOTA. A travers la recherche et le développement de nouveaux produits pour l'Agriculture, l'Industrie, la Construction et plusieurs autres domaines de la vie moderne, Nous KUBOTA, espérons atteindre ce but.

GIGANT DER FUNDAMENTALEN NOTWENDIGKEITEN

"Technologie für die Welt von Morgen"
Wir bei KUBOTA arbeiten ständig an diesem Ziel durch Forschung und Entwicklung neuer Produkte für den Agrarsektor, die Industrie, die Bauwirtschaft und viele andere Bereiche unserer modernen Zeit. Die Ziellinie verschiebt sich ständig, aber wir kommen ihr näher.

PRINTED in JAPAN
IMPRIME Au JAPON
DRUCK JAPAN